

Handwritten markings and faint text at the top of the page.

OREC MOWER

 AM60A & AM70B

FOR

SPARE PARTS LIST

MANUFACTURE: OREC CO., LTD
 SOLE AGENT: KIYOHARA CO., LTD. OSAKA JAPAN

JULY, 1992

Fig 1 ハンドル

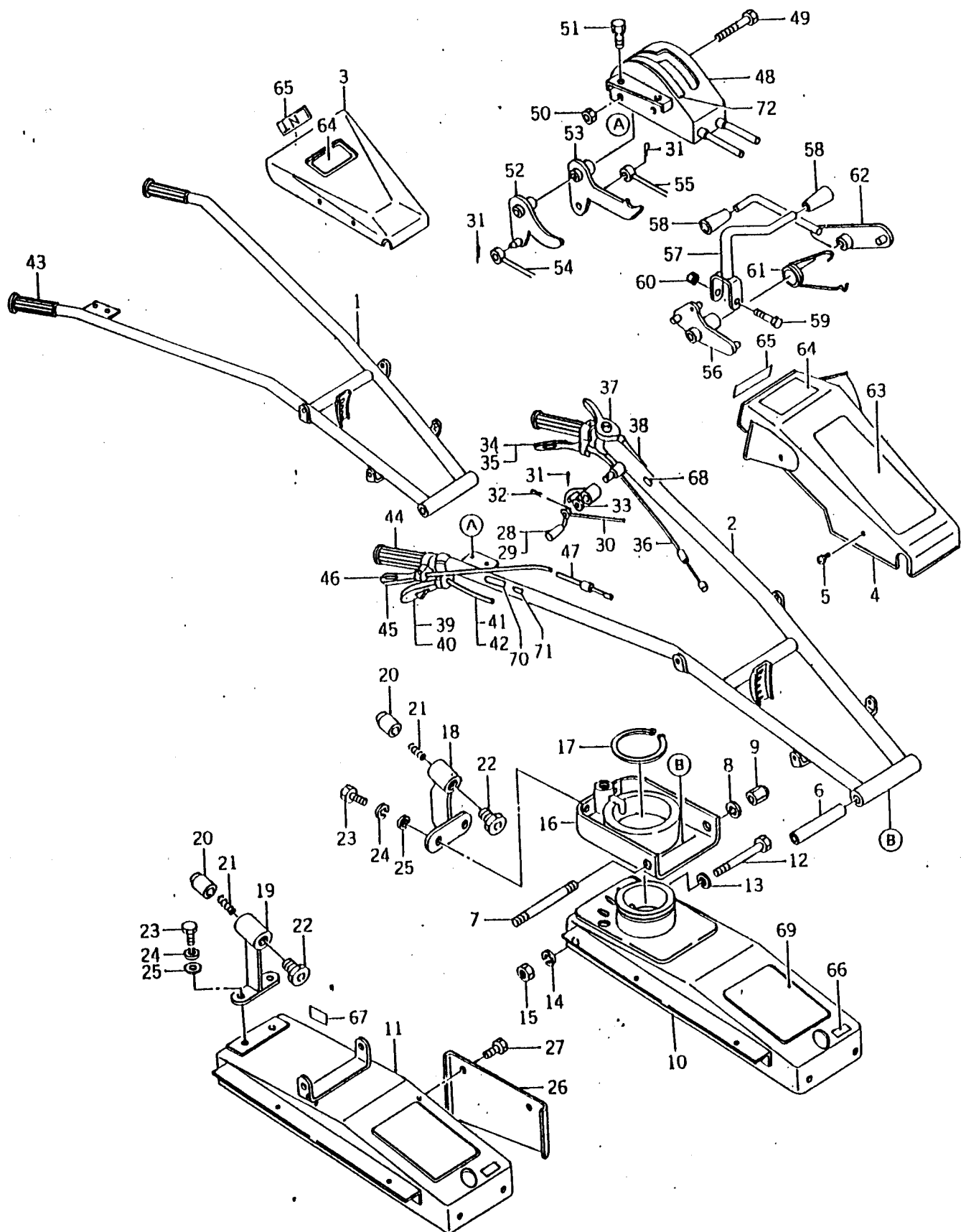


Fig 1

REF.	CODE	PARTS NAME / MOMENCLATURE	Q'TY / Q'TE				NOTE
			AM60		AM70		
			A	B	A	B	
1	80-1445-221-00	HANDLE MANCHERON				1	
2	80-1425-221-00	HANDLE MANCHERON		1		1	
	80-1415-221-00	HANDLE MANCHERON	1		1		
3	80-1445-223-00	HANDLE BONNET CAPOT.				1	
4	80-1310-223-00	HANDLE BONNET CAPOT	1	1	1	1	
5	89-1151-060122	SCREW (M6X12) VIS (M6X12)	4	4	4	4	S27060120C
6	80-1210-222-00	HANDLE SETTING COLLAR ENTRETOISE	1	1	1	1	
7	83-1210-133-00	SETTING BOLT (M12X160) BOULON FIXATION (M12X160)	1	1	1	1	80-1310-227-00
8	89-1750-120002	SPRING WASHER (ϕ 12) RONDELLE FREIN (ϕ 12)	2	2	2	2	S58120000C
9	80-1310-228-00	NUT (M12) ECROU (M12)	2	2	2	2	
10	80-1425-732-00	BONNET CAPOT		1		1	
11	80-1415-732-00	BONNET CAPOT	1		1		
12	89-1113-101	BOLT (M10X150) BOULON (M10X150)	1	1	1	1	S1101500C
13	89-1711-100002	WASHER (ϕ 10) RONDELLE (ϕ 10)	1	1	1	1	S50100000C
14	89-1750-100002	SPRING WASHER (ϕ 10) RONDELLE FREIN (ϕ 10)	1	1	1	1	S58100000C
15	89-1511-100042	NUT (M10) ECROU (M10)	1	1	1	1	S31100000C

Fig 1 ハンドル

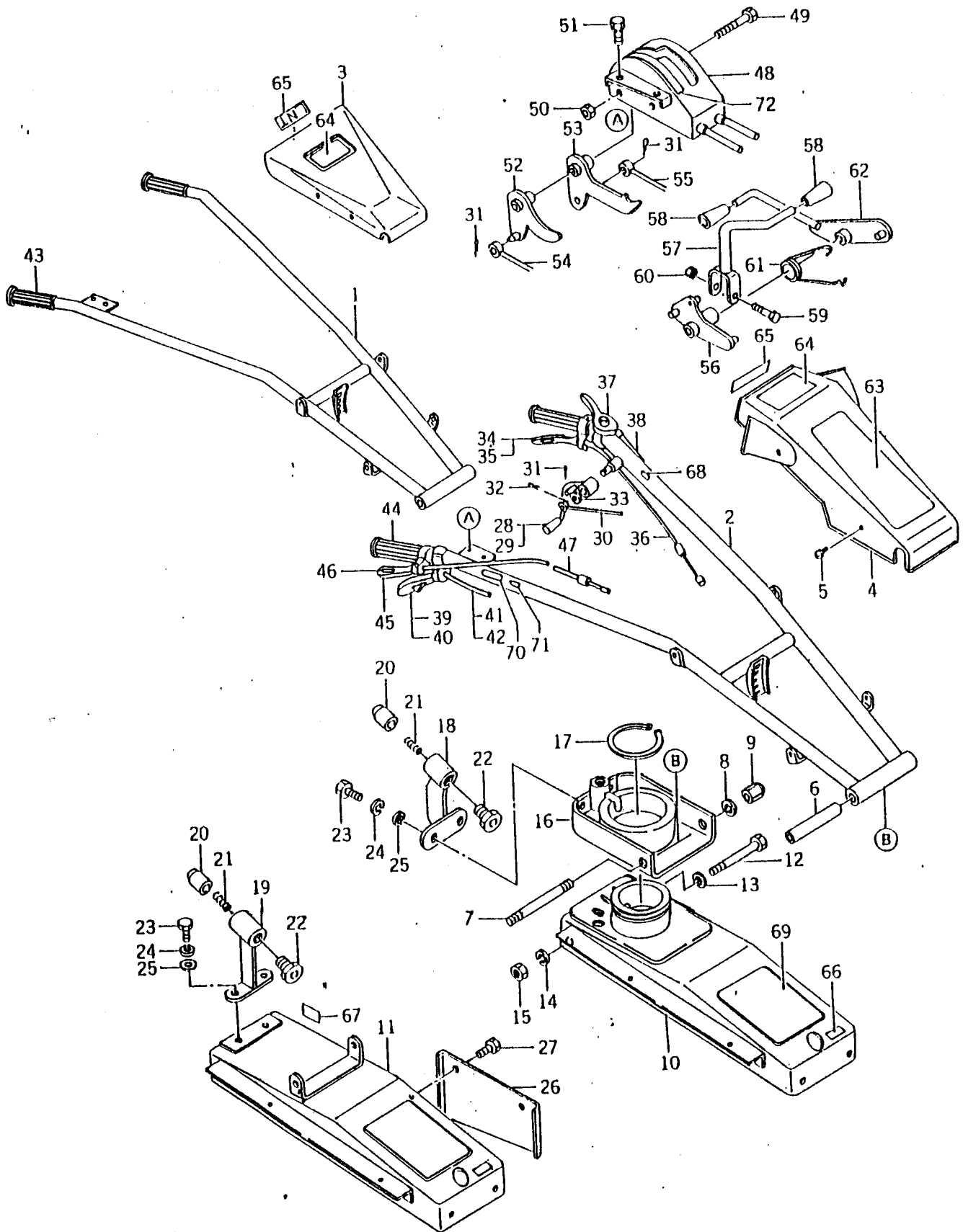


Fig 1

REF.	CODE	PARTS NAME / NOMENCLATURE	Q'TY / Q'TE				NOTE
			AM60		AM70		
			A	B	A	B	
16	80-1310-203-00	TURNTABLE FOR HANDLE TABLE TOURNANTE		1		1	
17	89-2511-000850	SNAP RING (S85) CIRCLIP (S85)		1		1	S71S850000
18	80-1445-214-00	BRACKET FOR HANDLE SUPPORT		1		1	
19	80-1425-214-00	BRACKET FOR HANDLE SUPPORT	1			1	80-1425-214-00
20	80-1210-216-00	STOPPER PIN ARRETOIR	1	2	1	2	
21	80-1210-217-00	STOPPER SPRING RESSORT	1	2	1	2	
22	80-1310-215-00	STOPPER CAP CAPUCHON D'ARRET	1	2	1	2	
23	89-1111-100202	BOLT (M10X20) BOULON (M10X20)	2	2	2	2	S11100200C
24	89-1750-100002	SPRING WASHER (ϕ 10) RONDELLE PREIN (ϕ 10)	2	2	2	2	S58100000C
25	89-1711-100002	WASHER (ϕ 10) RONDELLE (ϕ 10)	2	2	2	2	S50100000C
26	80-1445-746-00	LEFT PLATE PLAQUE GAUCHE				1	
	80-1415-746-00	LEFT PLATE PLAQUE GAUCHE	1	1	1	1	
27	89-1131-060152	BOLT (PW) M6X15 BOULON A RONDELLE (M6X15)	2	2	2	2	S15060150C
28	80-1415-251-00	CLUTCH LEVER LEVIER	1	1	1	1	
29	83-1210-425-00	GRIFE (ϕ 10) POIGNEE (ϕ 10)	1	1	1	1	S781000000
30	80-1415-964-00	WIRE CABLE	1	1	1	1	80-1415-964-00

Fig 1 ハンドル

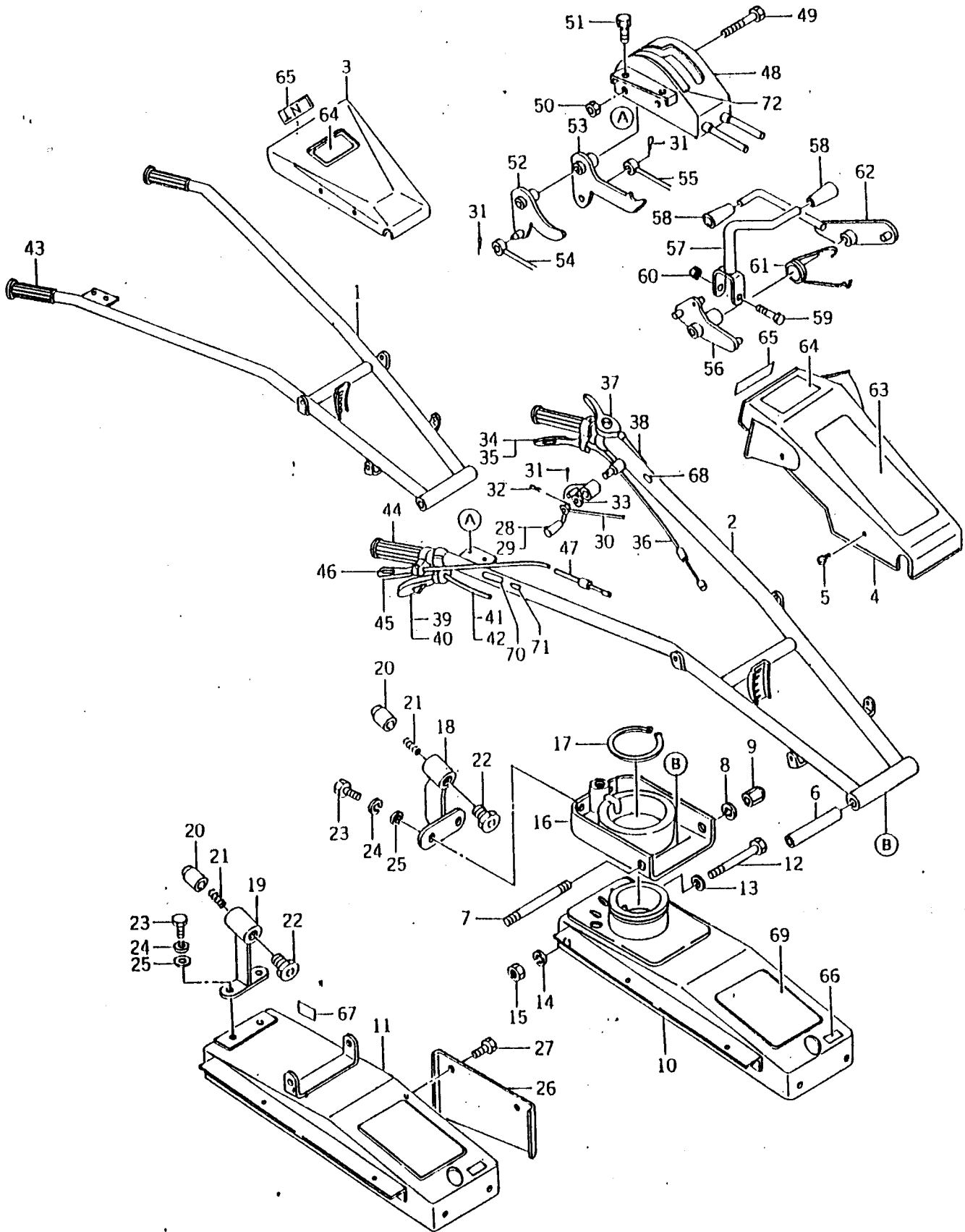


Fig 1

REF.	CODE	PARTS NAME / MOMENCLATURE	Q'TY / Q'TE				NOTE
			AM60		AM70		
			A	B	A	B	
31	89-2120-200152	SPRIT PIN (ϕ 2X15) GOUILLE FENDUE (ϕ 2X15)	1	3	1	3	S60201500C
32	89-2120-300202	SPRIT PIN (ϕ 3X20) GOUILLE FENDUE (ϕ 3X20)	1	1	1	1	S60302000C
33	83-1565-329-00	WASHER (ϕ 13) RONDELLE (ϕ 13)	1	1	1	1	S50130000C
34	83-1330-442-00	LEVER (ϕ 25) LEVIER (ϕ 25)				1	S82SC12030
	83-1415-453-00	LEVER (ϕ 27) LEVIER (ϕ 27)	1	1	1	1	S82SC12150
35	80-1210-917-00	LABEL AUTOCOLLANT	1	1	1	1	
36	83-1425-965-00	WIRE CABLE	1	1	1	1	80-1445-956-00
37	83-1210-462-00	THROTTLE LEVER (ϕ 25) LEVIER (ϕ 25)				1	S82ST20020
	83-1560-463-00	THROTTLE LEVER (ϕ 27) LEVIER (ϕ 27)	1	1	1	1	S82S27R310
38	83-1415-951-00	THROTTLE WIRE CABLE	1	1	1	1	80-1560-951-00
39	83-1182-455-00	LEVER 2301 LEVIER 2301		1		1	S82SC23010
40	83-1182-455-00	LEVER 2301 LEVIER 2301	1		1		S82SC23010
41	80-1425-937-00	WIRE CABLE		1		1	80-1425-957-00
42	80-1415-932-00	WIRE CABLE	1		1		80-1415-961-00
43	83-1410-412-00	GRIPPE (ϕ 25) POIGNEE (ϕ 25)				2	S792500000
44	83-1560-414-00	GRIPPE (ϕ 27) POIGNEE (ϕ 27)	2	2	2	2	S792700000

Fig 1 ハンドル

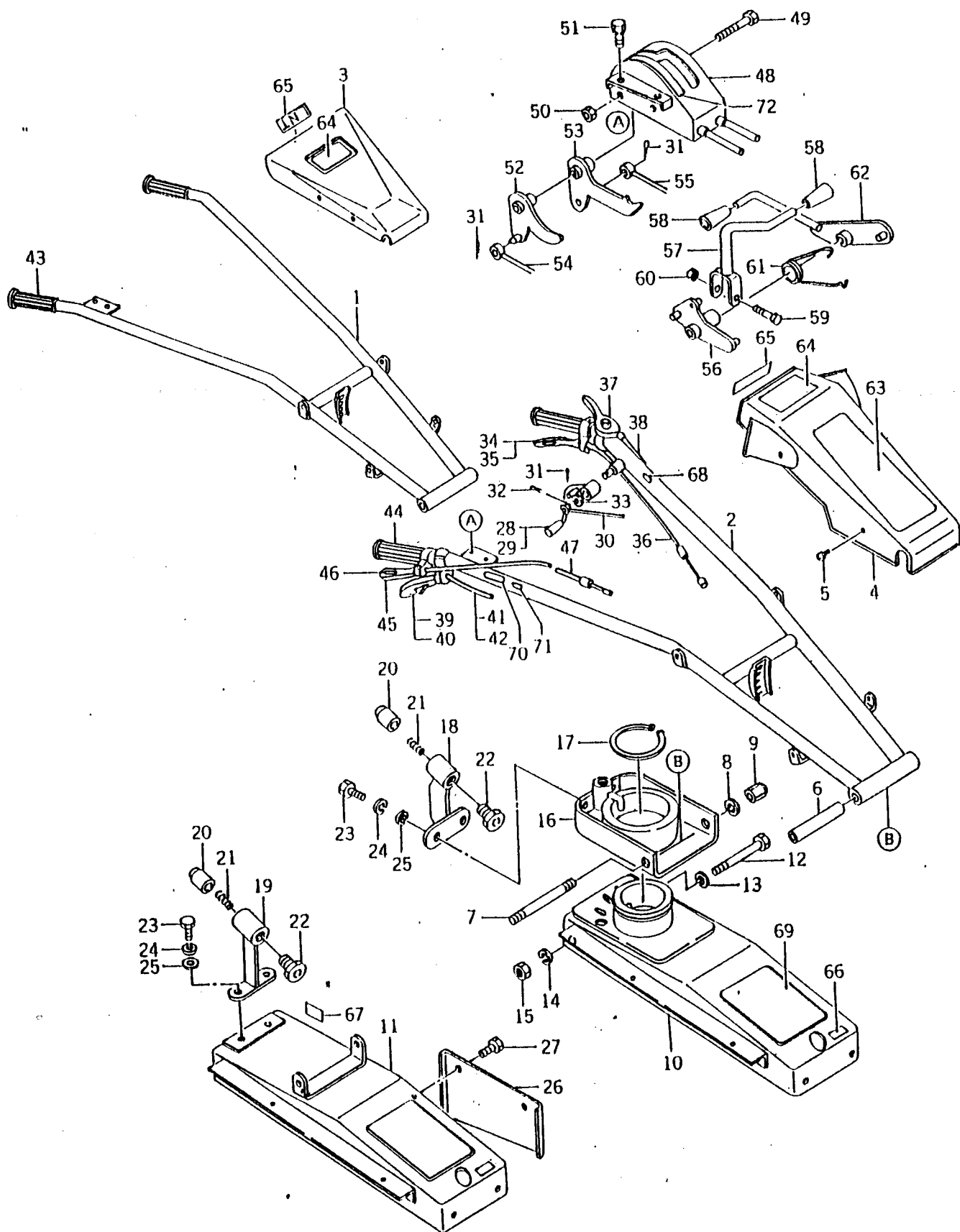


Fig 1

REF.	CODE	PARTS NAME / NOMENLATURE	Q'TY/Q'TE				NOTE
			AM60		AM70		
			A	B	A	B	
45	83-1330-442-00	LEVER (ϕ 25) LEVIER (ϕ 25)				1	S82SC12030
	83-1415-453-00	LEVER (ϕ 27) LEVIER (ϕ 27)		1		1	S82SC12150
46	80-1210-918-00	LABEL AUTOCOLLANT		1		1	
47	80-1425-956-00	WIRE CABLE		1		1	80-1445-956-00
48	80-1425-231-00	CLUTH LEVER CASE COUVERTURE		1		1	
49	89-1111-080602	BOLT (M8X60) BOULON (M8X60)		2		2	S11080600C
50	89-1551-080002	NUT (M8) ECROU (M8)		2		2	S34080000C
51	89-1132-80162	BOLT (SW) M8X16 BOULON A RONDELLE (M8X16)		2		2	S16080160C
52	80-1425-245-00	JOINT JOINTURE		1		1	
53	80-1425-244-00	JOINT JOINTURE		1		1	
54	83-1425-935-00	WIRE CABLE		1		1	80-1425-962-00
55	80-1425-932-00	WIRE CABLE		1		1	80-1425-961-00
56	80-1425-243-00	PLATE TOLE		1		1	
57	80-1425-241-00	LEVER LEVIER		1		1	
58	82-1210-425-00	GRIFE (ϕ 10) POIGNEE (ϕ 10)		2		2	S781000000
59	89-1111-060352	BOLT (M6X35) BOULON (M6X35)		1		1	S11060350C

Fig 1 ハンドル

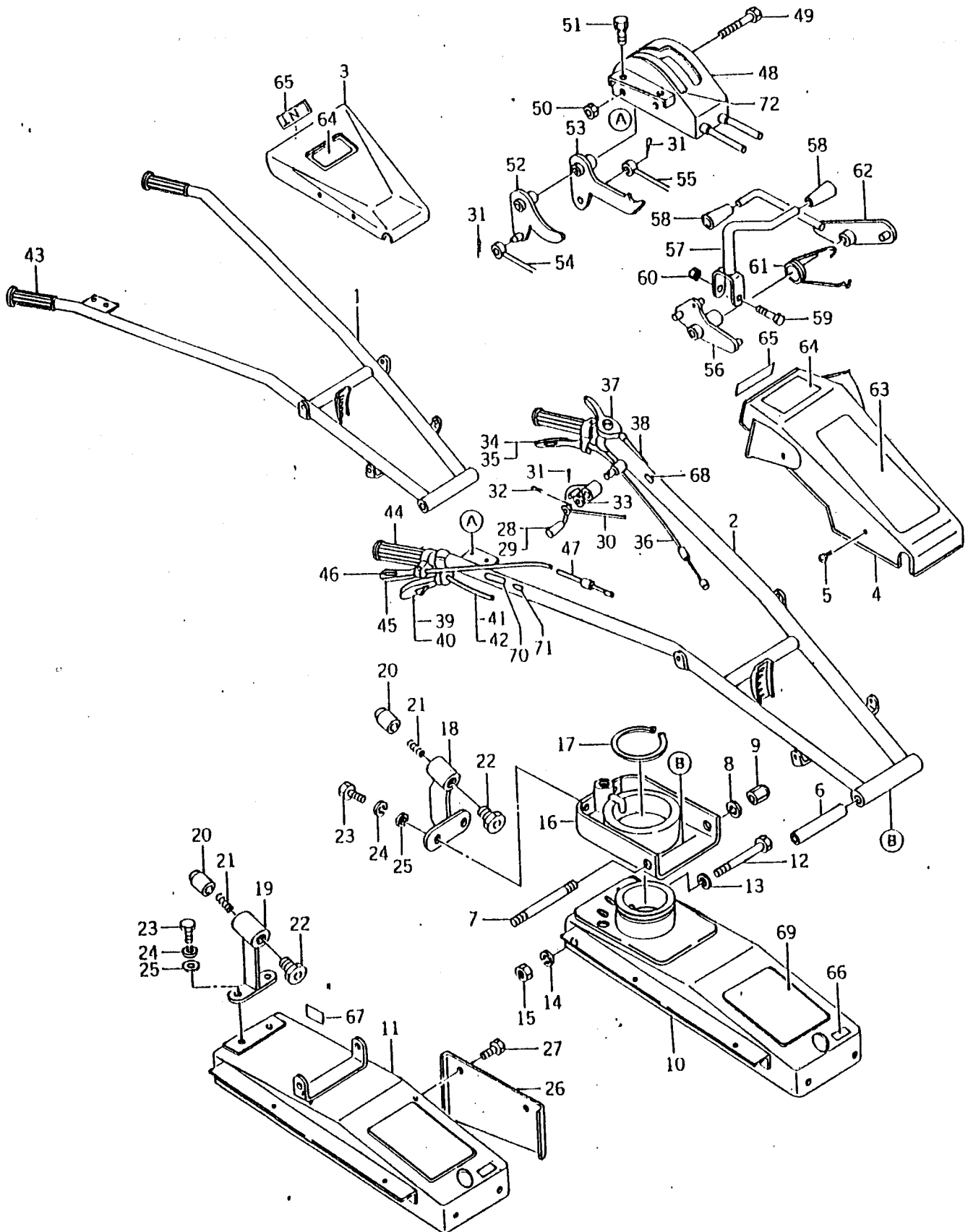


Fig 1

REF.	CODE	PARTS NAME / MONENCLATURE	Q'TY/Q'TE				NOTE
			AM60		AM70		
			A	B	A	B	
60	89-1551-060002	NUT M6 ECROU M6		1		1	S34060000C
61	80-1425-248-00	SPRING RESSORT		1		1	
62	80-1425-247-00	LEVER LEVIER		1		1	
63	80-1415-905-00	LABEL AUTOCOLLANT	1	1	1	1	
64	80-1415-904-00	LABEL (AM60A) AUTOCOLLANT (AM60A)	1				
	80-1425-904-00	LABEL (AM60B) AUTOCOLLANT (AM60B)		1			
	80-1435-904-00	LABEL (AM70A) AUTOCOLLANT (AM70A)			1		
	80-1445-904-00	LABEL (AM70B) AUTOCOLLANT (AM70B)				1	
65	80-1415-911-00	LABEL (LNT) AUTOCOLLANT (LNT)	1	1	1	1	
66	83-1210-913-00	LABEL (0.4) AUTOCOLLANT (0.4)	1	1	1	1	S840100400
67	83-1415-927-00	LABEL (1.2) AUTOCOLLANT (1.2)	1	1	1	1	
68	80-1415-915-00	LABEL AUTOCOLLANT	1	1	1	1	
69	80-1425-908-00	LABEL AUTOCOLLANT		1		1	
70	80-1781-906-00	LABEL AUTOCOLLANT		1		1	
71	80-1415-914-00	LABEL AUTOCOLLANT	1		1		
72	80-1425-912-00	LABEL AUTOCOLLANT		1		1	

Fig 2 フレーム,カバー

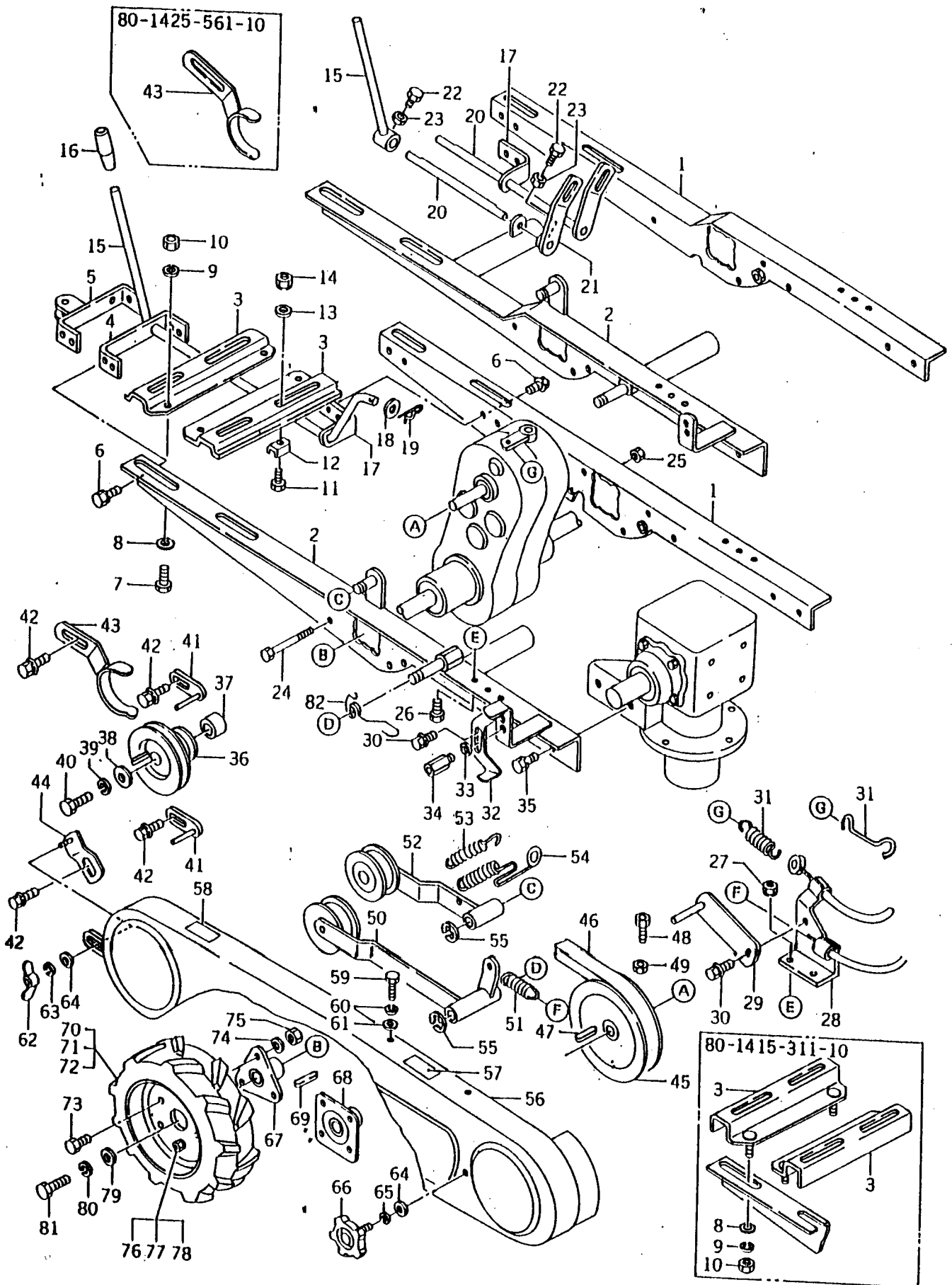


Fig 2

REF	CODE	PARTS NAME / MOMENCLATURE	Q'TY/Q'TE				NOTE
			AM60		AM70		
			A	B	A	B	
1	80-1445-301-00	FRAME (LEFT) ARMATURE GAUCHE				1	
	80-1415-301-00	FRAME (LEFT) ARMATURE GAUCHE	1	1	1	1	
2	80-1445-302-00	FRAME (RIGHT) ARMATURE DROIT				1	80-1445-302-10
	80-1415-302-00	FRAME (RIGHT) ARMATURE DROIT	1	1	1	1	
3	80-1415-311-00	ENGINE FITTING PLATE GLISSIERE	2	2	2	2	
	80-1415-311-10	ENGINE FITTING PLATE WITH BOLT GLISSIERE A BOULON	2	2	2	2	
4	80-1415-328-00	BRACKET (REAR) TASSEAU	1	1			
5	80-1445-328-00	BRACKET (REAR) TASSEAU			1	1	
6	89-1132-080162	BOLT (SW) M8X16 BOULON A RONDELLE (M8X16)	6	6	6	6	S16080160C
7	89-1111-100252	BOLT (M10X25) BOULON (M10X25)	4	4	4	4	S11100250C
8	89-1711-100002	WASHER (ϕ 10) RONDELLE (ϕ 10)	4	4	4	4	S50100000C
9	89-1750-100002	SPRING WASHER (ϕ 10) RONDELLE FREIN (ϕ 10)	4	4	4	4	S58100000C
10	89-1511-100042	NUT (M10) ECROU (M10)	4	4	4	4	S31100000C
11	89-1111-100452	BOLT (M10X45) BOULON (M10X45)	4	4	4	4	S11100450C
	89-1111-080402	BOLT (M8X40) BOULON (M8X40)	4	4			S11080400C
	89-1111-080402	BOLT (M8X40) BOULON (M8X40)	4	4	4	4	S11080400C

Fig 2 フレーム,カバー

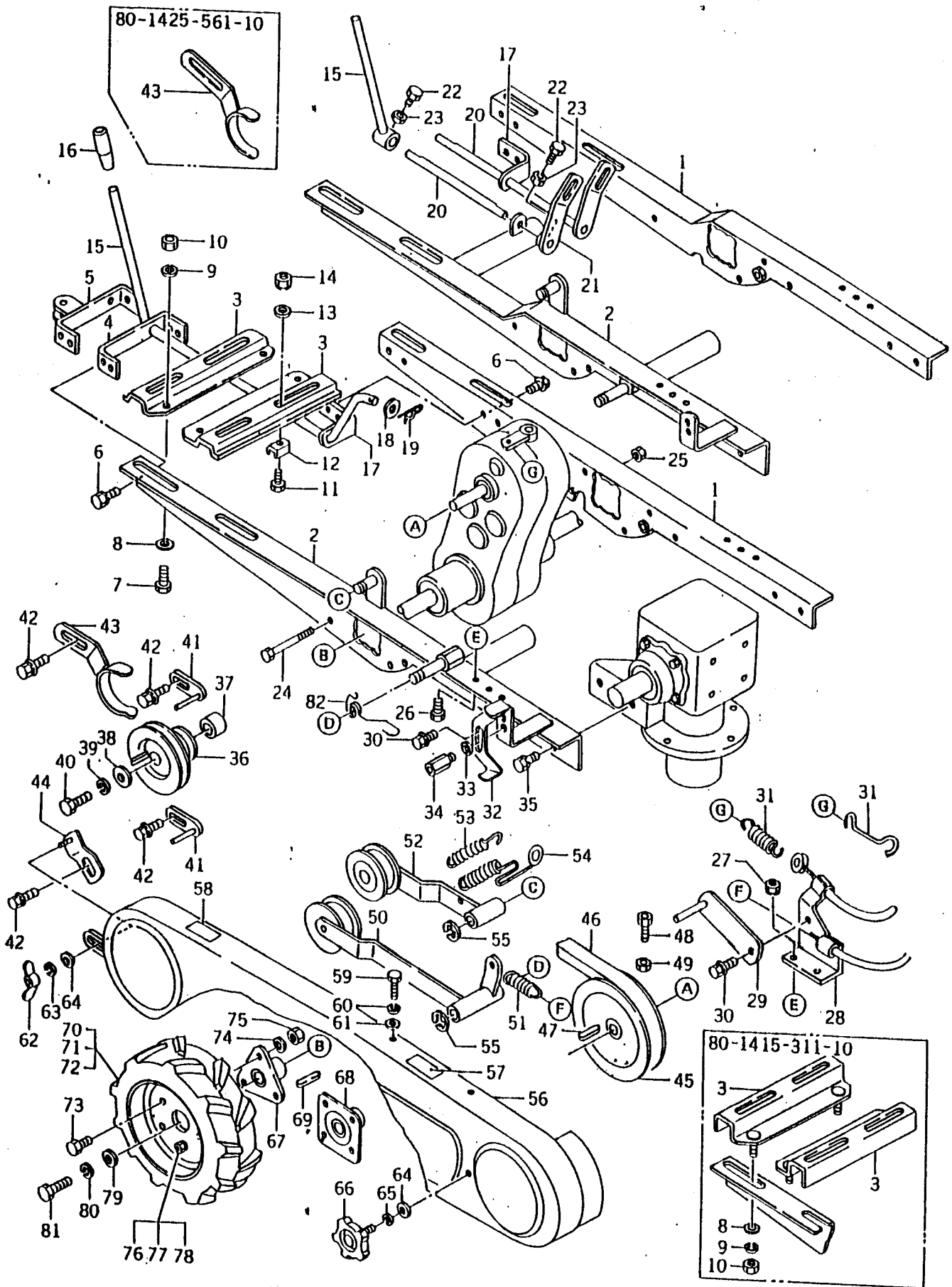


Fig 2

REF.	CODE	PARTS NAME / MOMENCLATURE	Q'TY/Q'TE				NOTE
			AM80		AM70		
			A	B	A	B	
12	83-1210-389-00	WHIRL STOP PLATE A (φ 10) FIXATION A (φ 10)	4	4	4	4	80-1210-319-00
	83-1210-388-00	WHIRL-STOP PLATE B(φ 8) FIXATION B (φ 8)	4	4			80-1210-318-00
	83-1210-388-00	WHIRL-STOP PLATE B (φ 8) FIXATION B (φ 8)	4	4	4	4	80-1210-318-00
13	89-1711-100002	WASHER (φ 10) RONDELLE (φ 10)	4	4	4	4	S50100000C
	89-1711-080002	WASHER (φ 8) RONDELLE (φ 8)	4	4			S50080000C
	89-1711-080002	WASHER (φ 8) RONDELLE (φ 8)	4	4	4	4	S50080000C
14	89-1541-100002	NUT (SW) M10 ECROU A RONDELLE (M10)	4	4	4	4	S38100000C
	89-1541-080002	NUT (SW) M8 ECROU A RONDELLE (M8)	4	4			S38080000C
	89-1541-080002	NUT (SW) M8 ECROU A RONDELLE (M8)	4	4	4	4	S38080000C
15	80-1445-263-00	LEVER LEVIER				1	
	80-1415-263-00	LEVER LEVIER	1	1	1	1	
16	83-1711-426-00	GRIPPE (φ 12) POIGNEE (φ 12)	1	1	1	1	S781200000
17	80-1415-327-00	FITTING FOR CHANGE ROD FIXATION	1	1	1	1	
18	89-1711-120002	WASHER (φ 12) RONDELLE (φ 12)	1	1	1	1	S50120000C
19	89-2131-120002	SNAP PIN (φ 12) GOUPILLE EN R (φ 12)	1	1	1	1	S61120000C
20	80-1445-266-00	CHANGE ROD BIELLE				1	

Fig 2 フレーム,カバー

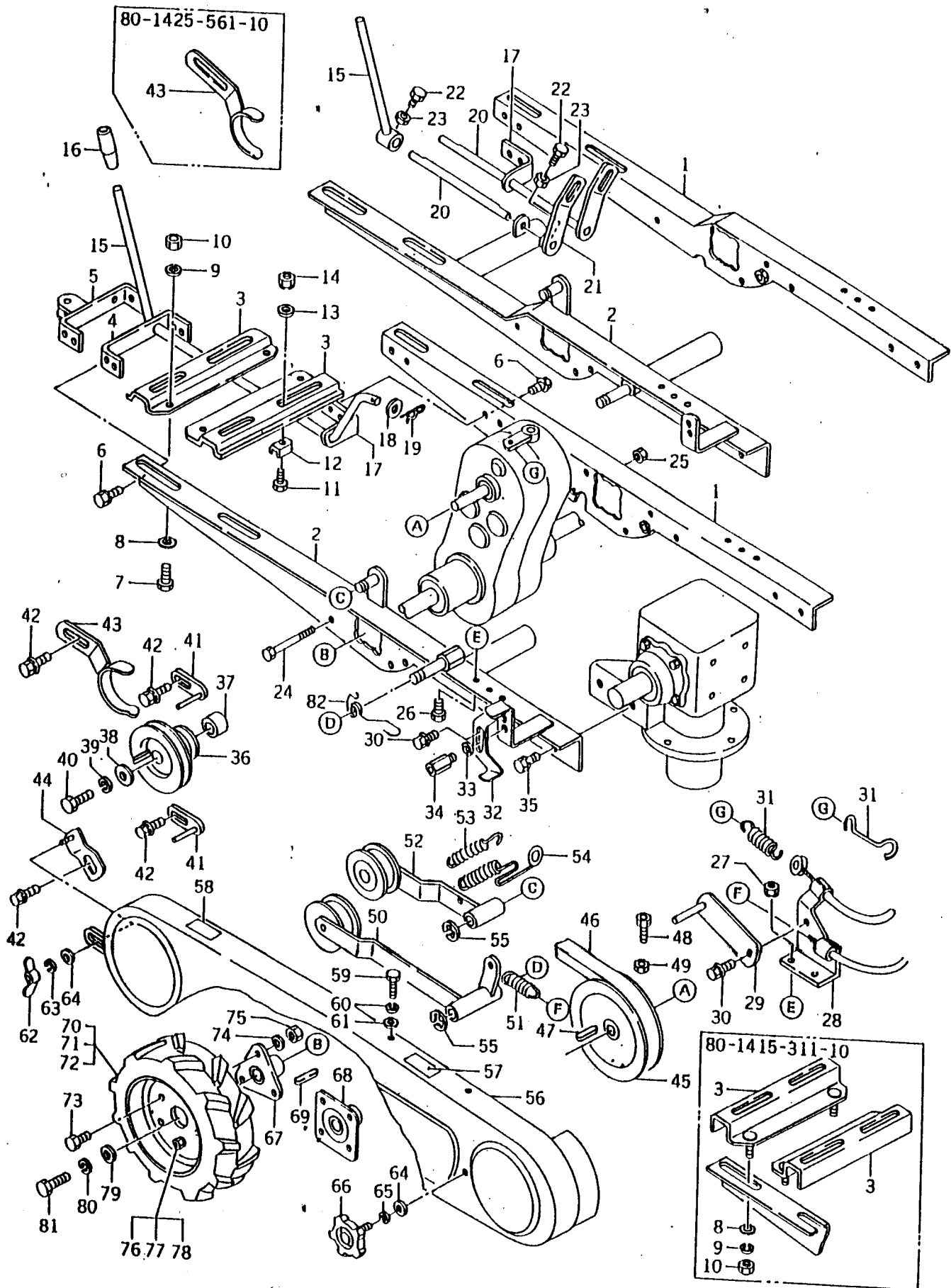


Fig 2

REF.	CODE	PARTS NAME / NOMENCLATURE	Q'TY/Q'TE				NOTE
			AM60		AM70		
			A	B	A	B	
20	80-1445-266-10	CHANGE ROD BIELLE				1	
21	80-1445-267-00	CHANGE ROD ARM BRAS				1	
22	89-1111-080202	BOLT (M8X20) BOULON (M8X20)				2	S11080200C
23	89-1511-080042	NUT (M8) ECROU (M8)				2	S31080000C
24	89-1251-081452	BOLT, FRANGE (M8X145) BOULON A BORDURE (M8X145)	4	4	4	4	S18081450D
25	89-1541-080002	NUT (SW) M8 ECROU A RONDELLE (M8)	4	4	4	4	S36080000C
26	89-1111-080202	BOLT (M8X20) BOULON (M8X20)	2	2	2	2	S11080200C
27	89-1541-080002	NUT (SW) M8 ECROU A RONDELLE (M8)	2	2	2	2	S36080000C
28	80-1415-351-00	STOPPER FOR KNIFE TENSION WIRE ARRETOIR	1	1	1	1	
29	80-1415-563-00	BELT SUPPORT SUPPORT	1	1	1	1	
30	89-1133-080162	BOLT (PW, SW) M8X16 BOULON A RONDELLES (M8X16)	2	2	2	2	S17080160C
31	80-1445-249-00	WIRE HOOK (FR) CROCHET (FR)			1	1	
	80-1751-246-00	CLUTCH SPRING (FR) RESSORT (FR)			1	1	
32	80-1415-575-00	FRONT BELT SUPPORT SUPPORT	1	1			
	80-1425-575-00	FRONT BELT SUPPORT SUPPORT			1	1	
33	83-1210-386-00	GT WASHER (ϕ 8) RESSORT A DISQUE (ϕ 8)	1	1	1	1	S57080000C

Fig 2 フレーム,カバー

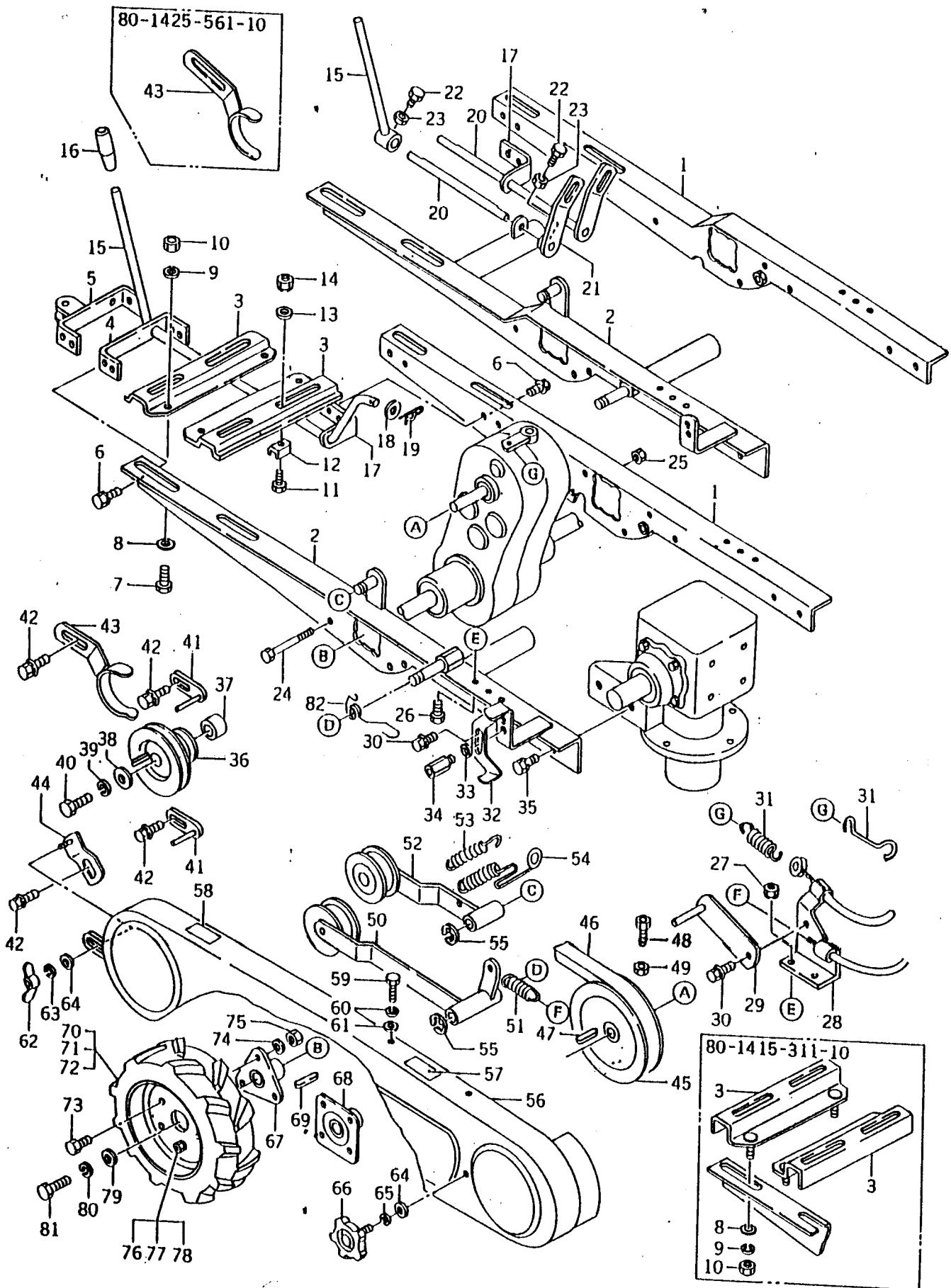


Fig 2

REF.	CODE	PARTS NAME / MOMENCLATURE	Q'TY/Q'TE				NOTE
			AM60		AM70		
			A	B	A	B	
34	80-1415-506-00	FITTING FOR FRONT BELT COVER FIXATION	1	1	1	1	
35	89-1132-100202	BOLT (SW) M10X20 BOULON A RONDELLE (M10X20)	4	4	4	4	S16100200C
36	80-1415-514-00	ENGINE PULLEY (φ 20) POULIE (φ 20)	1	1			
	80-1445-514-00	ENGINE PULLEY (φ 25) POULIE (φ 25)	1	1	1	1	
37	80-1415-515-00	PULLEY COLLAR L15 (φ 20) ENTRETOISE L15 (φ 20)	1	1			
	80-1445-515-00	PULLEY COLLAR L15 (φ 25) ENTRETOISE L15 (φ 25)	1	1	1	1	
38	83-1415-312-00	WASHER (φ 8X φ 30X3.2) RONDELLE (φ 8X φ 30X3.2)	1	1	1	1	80-1210-525-00
39	89-1750-080002	SPRING WASHER (φ 8) RONDELLE FREIN (φ 8)	1	1	1	1	S58080000C
40	89-1113-080252	BOLT (8T) M8X25 BOULON (8T) M8X25	1	1	1	1	S11080201C
	89-1113-080252	BOLT (8T) M8X25 BOULON (8T) M8X25	1	1	1	1	
	89-1113-080302	BOLT (8T) M8X30 BOULON (8T) M8X30	1	1	1	1	
41	80-1415-562-10	KNIFE BELT SUPPORT SUPPORT	2	2	2	2	80-1415-562-00
42	89-1133-080202	BOLT (PW, SW) M8X20 BOULON A RONDELLES (M8X20)	3	4	3	4	S17080200C
43	80-1425-561-00	SUPPORTER SUPPORT		1		1	
	80-1425-561-00	SUPPORTER SUPPORT		1		1	
44	80-1415-507-00	FITTING BELT COVER. (REAR) FIXATION	1	1	1	1	

Fig 2 フレーム,カバー

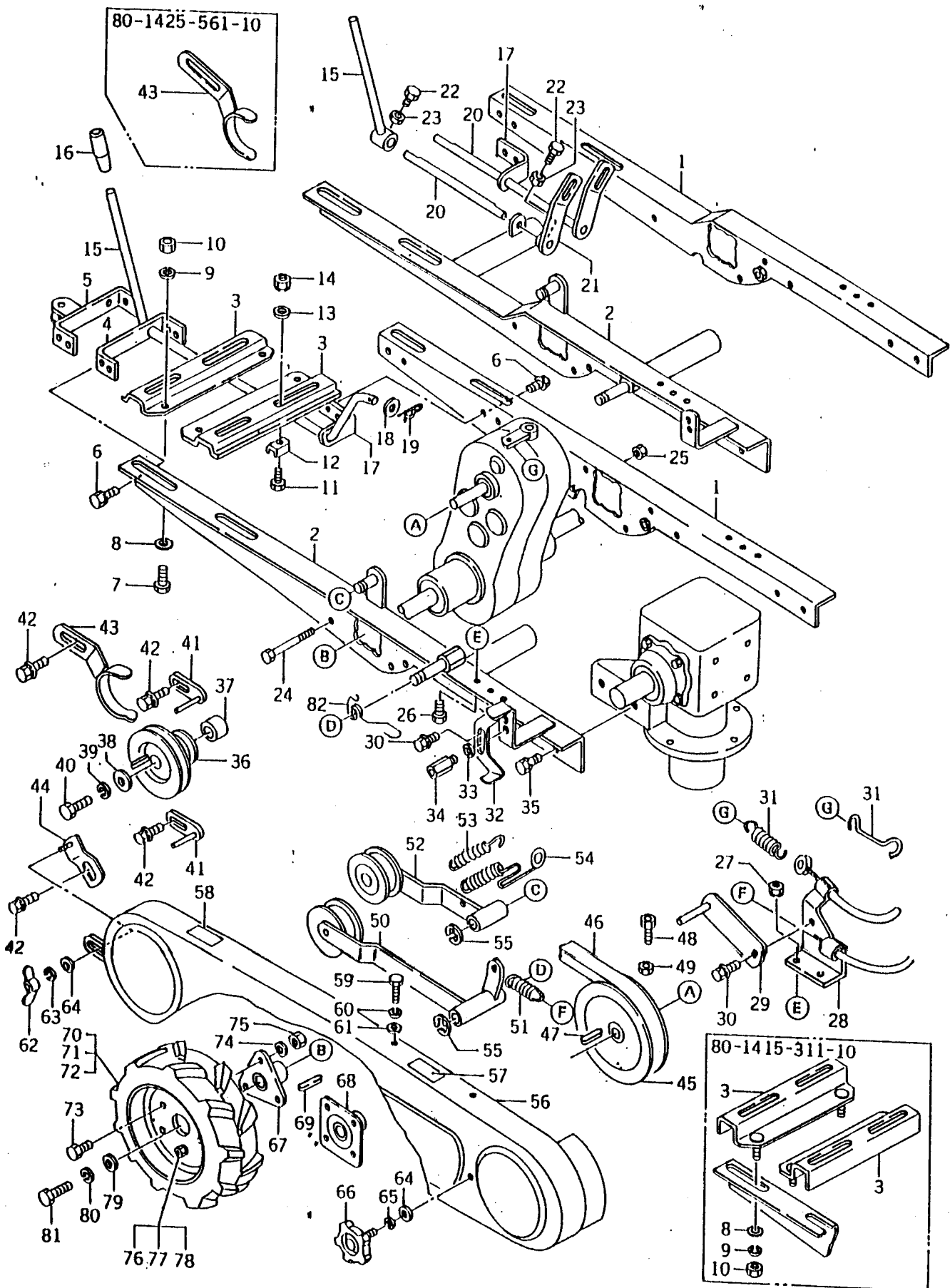


Fig 2

REF.	CODE	PARTS NAME / MOMENCLATURE	Q'TY/Q'TE				NOTE
			AM60		AM70		
			A	B	A	B	
45	80-1415-521-00	TRANSMISSION PULLEY POULIE	1	1	1	1	
46	89-6122-003700	V BELT LA-37 COURROIE EN V LA-37	1	1	1	1	S81LA37000
	89-6122-003700	V BELT LA-37 COURROIE EN V LA-37	1	1	1	1	S81LA37000
	89-6122-003800	V BELT LA-38 COURROIE EN V LA-38	1	1	1	1	FOR E/G EY-18, EY-28
	89-6122-003800	V BELT LA-38 COURROIE EN V LA-38	1	1	1	1	FOR E/G EY-18, EY-28
	89-6122-003800	V BELT LA-38 COURROIE EN V LA-38	1	1	1	1	FOR E/G EY-18, EY-28
47	89-2151-050250	KEY 5X5X25 CLAVETTE 5X5X25	1	1	1	1	S68050525A
48	83-1415-119-00	BOLT (M8X20) BOULON (M8X20)	1	1	1	1	80-1415-527-00
49	89-1511-080042	NUT (M8) ECROU (M8)	1	1	1	1	S31080000C
50	80-1415-546-00	TENSION ARM BRAS	1	1	1	1	
51	80-1310-551-00	TENSION PULLING SPRING RESSORT	1	1	1	1	
52	80-1415-542-00	TENSION ARM BRAS	1	1	1	1	
53	80-1425-551-00	TENSION PULLING SPRING RESSORT		1		1	
54	80-1415-551-00	ARM PULLING SPRING RESSORT	1		1		
55	89-2521-000150	SNAP RING E TYPE (ϕ 15) ARCEAU EN E (ϕ 15)	2	2	2	2	S75150000C
56	80-1415-502-00	BELT COVER CARTER	1	1	1	1	

Fig 2 フレーム,カバー

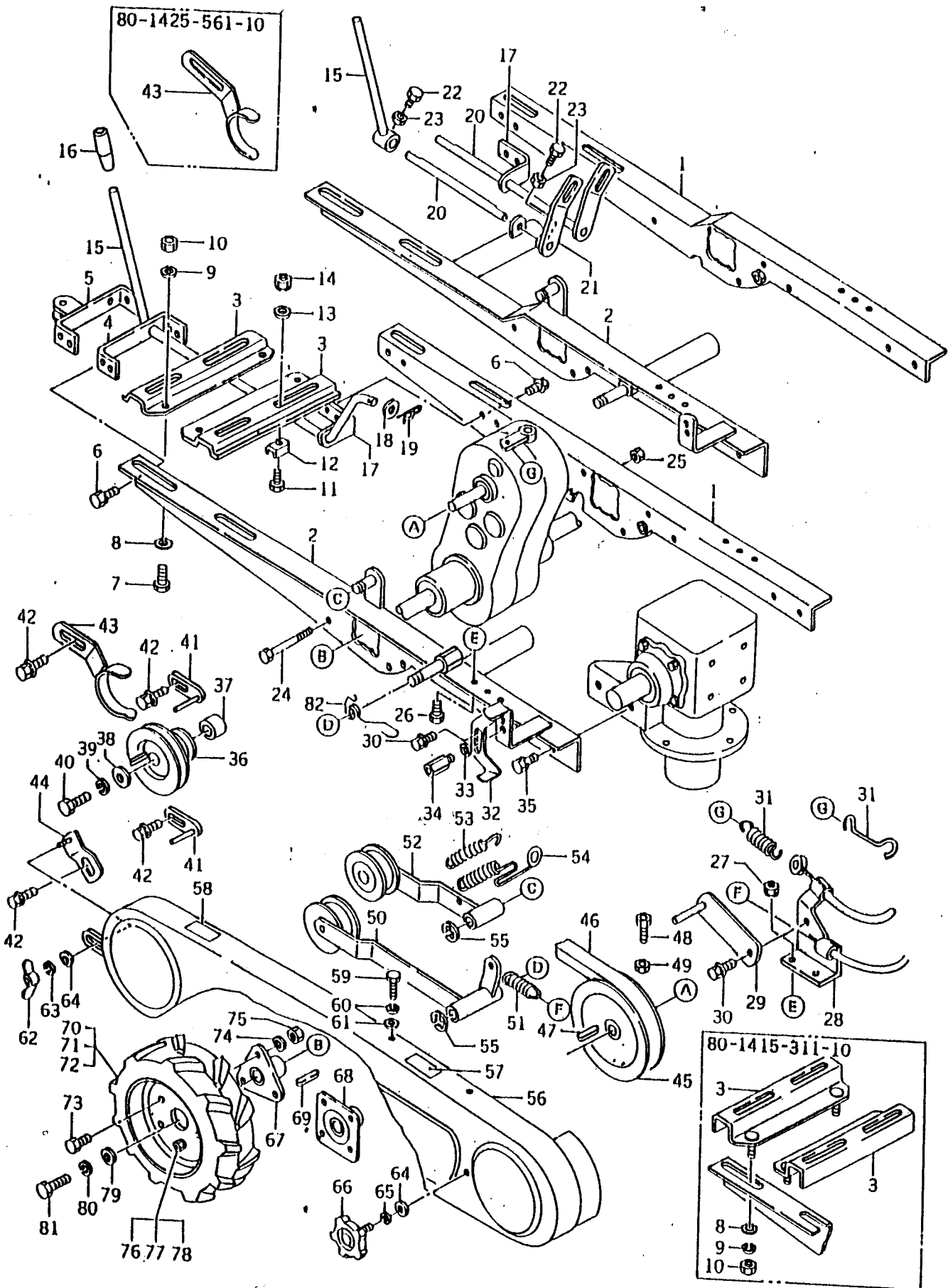


Fig 2

REF.	CODE	PARTS NAME / MOMENCLATURE	Q'TY/Q'TE				NOTE
			AM60		AM70		
			A	B	A	B	
57	83-1032-906-00	LABEL AUTOCOLLANT	1	1	1	1	80-1415-928-00
58	80-1210-909-00	LABEL AUTOCOLLANT	1	1	1	1	80-1210-927-00
59	89-1111-060152	BOLT (M6X15) BOULON (M6X15)	1	1	1	1	S19060150C
60	89-1750-080002	SPRING WASHER (ϕ 6) RONDELLE FREIN (ϕ 6)	1	1	1	1	S58060000C
61	89-1711-060002	WASHER (ϕ 6) RONDELLE (ϕ 6)	1	1	1	1	S50060000C
62	89-1642-080002	BUTTERFLY NUT (M8) ECROU PAPILLON (M8)	1	1	1	1	S39080000C
63	89-1750-080002	SPRING WASHER (ϕ 8) RONDELLE FREIN (ϕ 8)	1	1	1	1	S58080000C
64	89-1711-080002	WASHER (ϕ 8) RONDELLE (ϕ 8)	2	2	2	2	S50080000C
65	89-1812-080002	WASHER (ϕ 8) RONDELLE (ϕ 8)	1	1	1	1	S58080000C
66	83-1560-101-00	KNOB BOLT (M8X15) BOULON A BOUTON (M8X15)	1	1	1	1	80-1210-508-00
67	80-1415-413-00	WHEEL BOSS MOYEU DE ROUE	2	2			
68	80-1445-413-00	WHEEL BOSS MOYEU DE ROUE			2	2	
69	89-2151-070400	KEY (7X7X40) CLAVETTE (7X7X40)	2	2	2	2	S68070740A
70-72	80-1210-411-00	TIRE ASSY (LEFT) 350-6 ENS. PNEU (GAUCHE) 350-6	1	1			
	80-1230-411-00	TIRE ASSY (LEFT) 350-7 ENS. PNEU (GAUCHE) 350-7			1	1	
	80-1210-412-00	TIRE ASSY (RIGHT) 350-6 ENS. PNEU (DROIT) 350-6	1	1			

Fig 2 フレーム,カバー

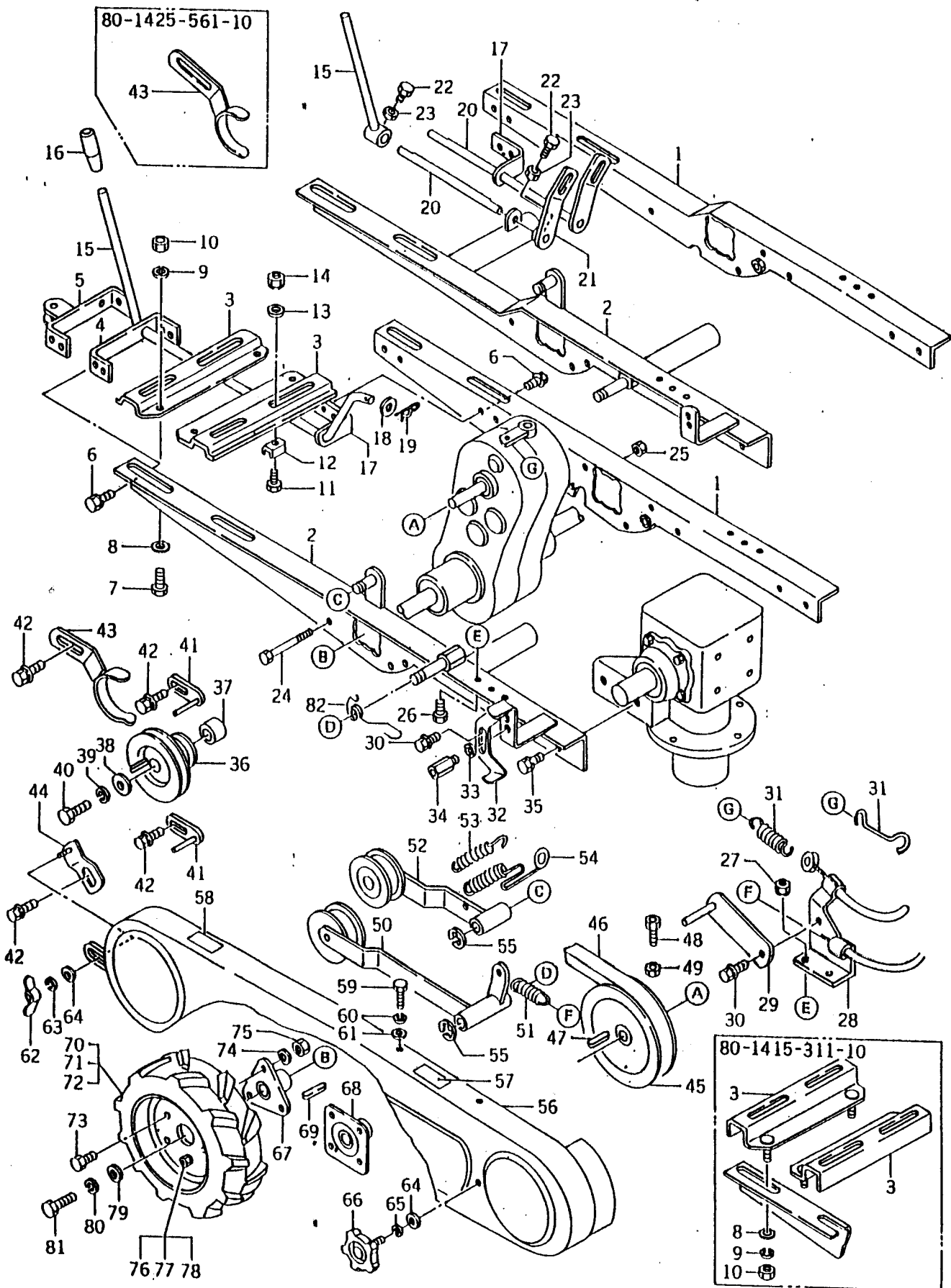


Fig 2

REF.	CODE	PARTS NAME / NOMENCLATURE	Q'TY/Q'TE				NOTE
			AM60		AM70		
			A	B	A	B	
70-72	80-1230-412-00	TIRE ASSY (RIGHT) 350-7 ENS. PNEU (DROIT) 350-7			1	1	
70	80-1210-401-00	TIRE PNEU	2	2			
	80-1230-401-00	TIRE PNEU			2	2	
71	80-1210-404-00	TUBE CHAMBRE A AIR	2	2			
	80-1230-404-00	TUBE CHAMBRE A AIR			2	2	
72	80-1210-407-00	WHEEL ASSY ROUE COMPLETE	2	2			
	80-1230-407-00	WHEEL ASSY ROUE COMPLETE			2	2	
73	89-1111-080162	BOLT (M8X16) BOULON (M8X16)	6	6			S11080160C
	89-1111-100162	BOLT (M10X16) BOULON (M10X16)			8	8	S11100160C
74	89-1750-080002	SPRING WASHER (ϕ 8) RONDELLE FREIN (ϕ 8)	6	6			S58080000C
	89-1750-100002	SPRING WASHER (ϕ 10) RONDELLE FREIN (ϕ 10)			8	8	S58100000C
75	89-1511-080042	NUT (M8) ECROU (M8)	6	6			S31080000C
	89-1511-100042	NUT (M10) ECROU (M10)			8	8	S31100000C
76	89-1111-080162	BOLT (M8X16) BOULON (M8X16)	6	6			S11080160C
	89-1111-080202	BOLT (M8X20) BOULON (M8X20)			8	8	S11080200C
77	89-1750-080002	SPRING WASHER (ϕ 8) RONDELLE FREIN (ϕ 8)	6	6	8	8	S58080000C

Fig 2 フレーム,カバー

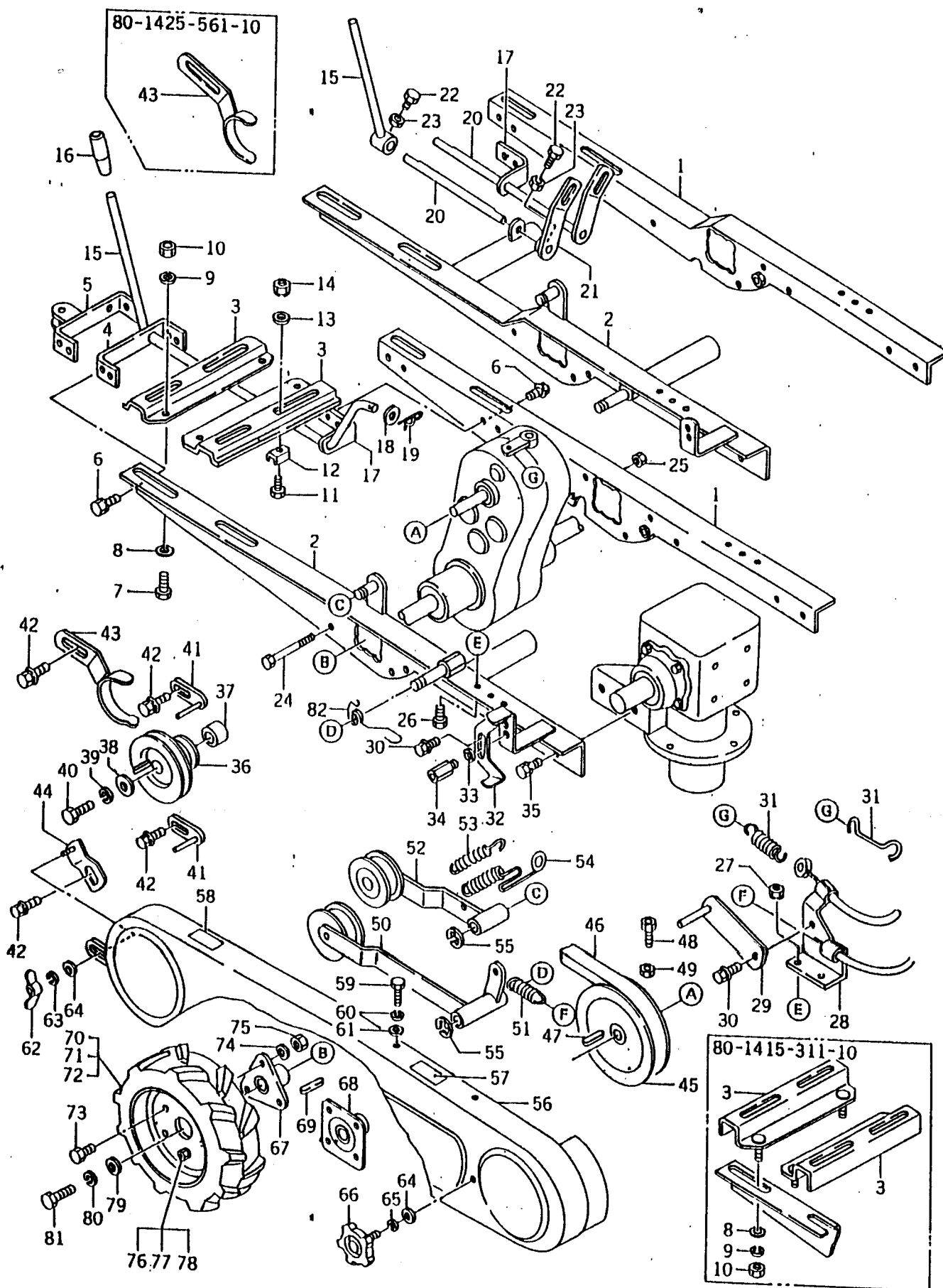


Fig 2

REF.	CODE	PARTS NAME / NOMENCLATURE	Q'TY/Q'TE				NOTE
			AM60		AM70		
			A	B	A	B	
78	89-1511-080042	NUT (M8) ECROU (M8)	6	6	8	8	S31080000C
79	83-1610-321-00	WASHER (ϕ 10X ϕ 35X4.5t) RONDELLE (ϕ 10X ϕ 35X4.5t)	2	2	2	2	S55103545C
80	89-1750-100002	SPRING WASHER (ϕ 10) RONDELLE FREIN (ϕ 10)	2	2	2	2	S58100000C
81	89-1111-100302	BOLT (M10X30) BOULON (M10X30)	2	2	2	2	S11100300C
82	80-1415-568-00	SPRING RESSORT	1	1	1	1	

Fig 3 ミッション

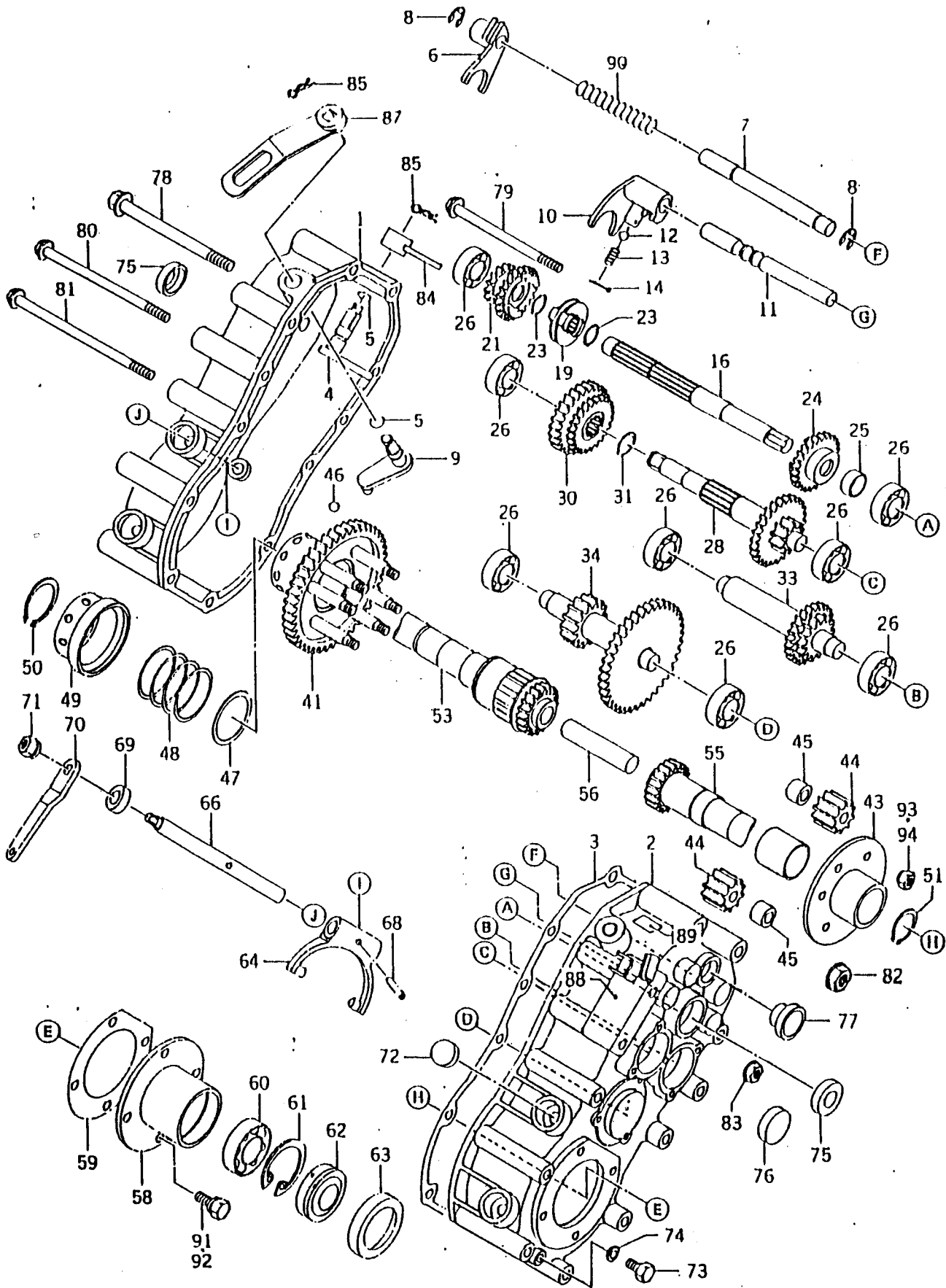


Fig 3

REF.	CODE	PARTS NAME / NOMENCLATURE	Q'TY/Q'TE				NOTE
			AM60		AM70		
			A	B	A	B	
1-01	80-1445-100-00	GEAR CASE ASSY ENS. CARTER DE TRANSMISSION				1	
	80-1435-100-00	GEAR CASE ASSY ENS. CARTER DE TRANSMISSION			1		
	80-1425-100-00	GEAR CASE ASSY ENS. CARTER DE TRANSMISSION		1			
	80-1415-100-00	GEAR CASE ASSY ENS. CARTER DE TRANSMISSION	1				
1	80-1425-101-00	GEAR CASE (LEFT) CARTER GAUCHE		1		1	
	80-1415-101-00	GEAR CASE (LEFT) CARTER GAUCHE	1		1		
2	80-1415-103-00	GEAR CASE (RIGHT) CARTER DROIT	1	1	1	1	
3	80-1415-105-00	CASE PACKING JOINT	1	1	1	1	
4	80-1425-106-00	SWING ARM (FR) BRAS A BASCULE (FR)		1		1	
5	89-5221-000900	RING O TYPE (P9) JOINT TORIQUE (P9)	1	2	1	2	S73P080000
6	80-1425-108-00	SHIFTER FORK (ϕ 21) FOURCHETTE (ϕ 21)		1		1	
	80-1425-108-10	SHIFTER FORK (ϕ 26) FOURCHETTE (ϕ 26)		1		1	
7	80-1425-107-00	SHIFTER FORK SHAFT ARBRE		1		1	
	80-1425-107-10	SHIFTER FORK SHAFT ARBRE		1		1	
8	89-2521-000120	SNAP RING E TYPE (ϕ 12) ARCEAU EN E (ϕ 12)		2		2	S75120000C
9	80-1415-109-00	SWING ARM BRAS A BASCULE	1	1	1	1	

Fig 3 ミッション

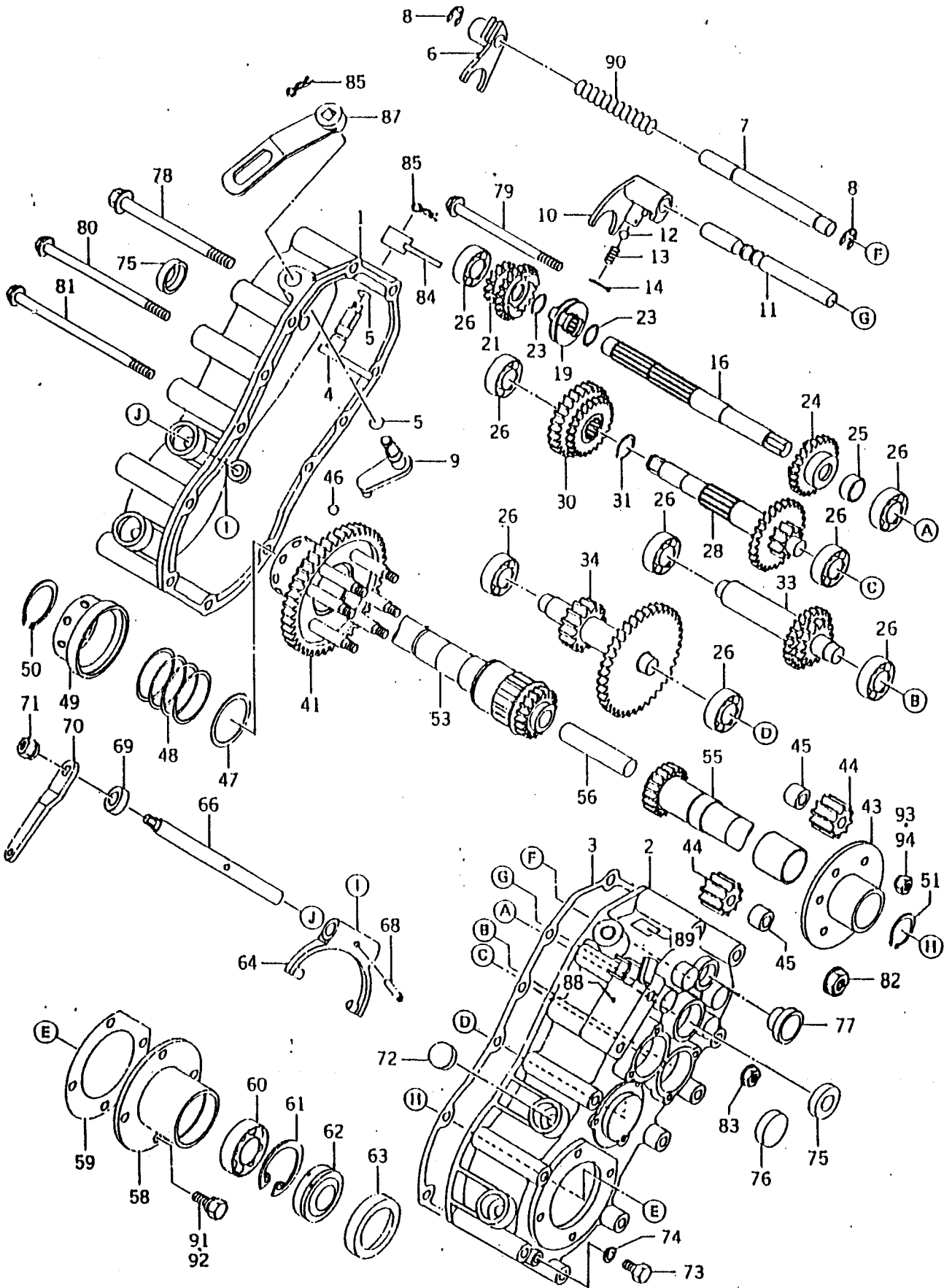


Fig 3

REF.	CODE	PARTS NAME / MOMENCLATURE	Q'TY/Q'TE				NOTE
			AM60		AM70		
			A	B	A	B	
10	80-1415-111-00	SHIFTER FORK FOURCHETTE	1	1	1	1	
11	80-1415-110-00	SHIFTER FORK SHAFT ARBRE	1	1	1	1	
12	83-3410-075000	STEEL BALL (ϕ 7.5) BOULE EN ACIER (ϕ 7.5)	1	1	1	1	S690750000
13	80-1310-138-00	SPRING (ϕ 1.4) RESSORT (ϕ 1.4)	1	1	1	1	
14	89-2120-200202	SPLIT PIN (ϕ 2X20) GOUPILLE FENDUE (ϕ 2X20)	1	1	1	1	S60202000C
15	80-1425-118-00	THE 1ST SHAFT LER ARBRE		1		1	
16	80-1425-118-10	THE 1ST SHAFT LER ARBRE		1		1	
17	80-1415-118-00	THE 1ST SHAFT LER ARBRE	1		1		
18	80-1425-120-00	SHIFTER GEAR 13T ENGRENAGE 13 DTS.		1		1	
19	80-1425-117-00	CLUTCH EMBAYAGE		1		1	
20	80-1425-119-00	THE 1ST SHAFT GEAR ENGRENAGE		1		1	
21	80-1425-119-10	THE 1ST SHAFT GEAR ENGRENAGE		1		1	
22	80-1415-119-00	THE 1ST SHAFT GEAR ENGRENAGE	1		1		
23	89-2511-000160	SNAP RING (S16) CIRCLIP (S16)		2		2	S71S160000
24	80-1425-121-00	THE 1ST SHAFT GEAR ENGRENAGE		1		1	
25	80-1425-126-00	THE 1ST SHAFT GEAR ENGRENAGE		1		1	

Fig 3 ミッション

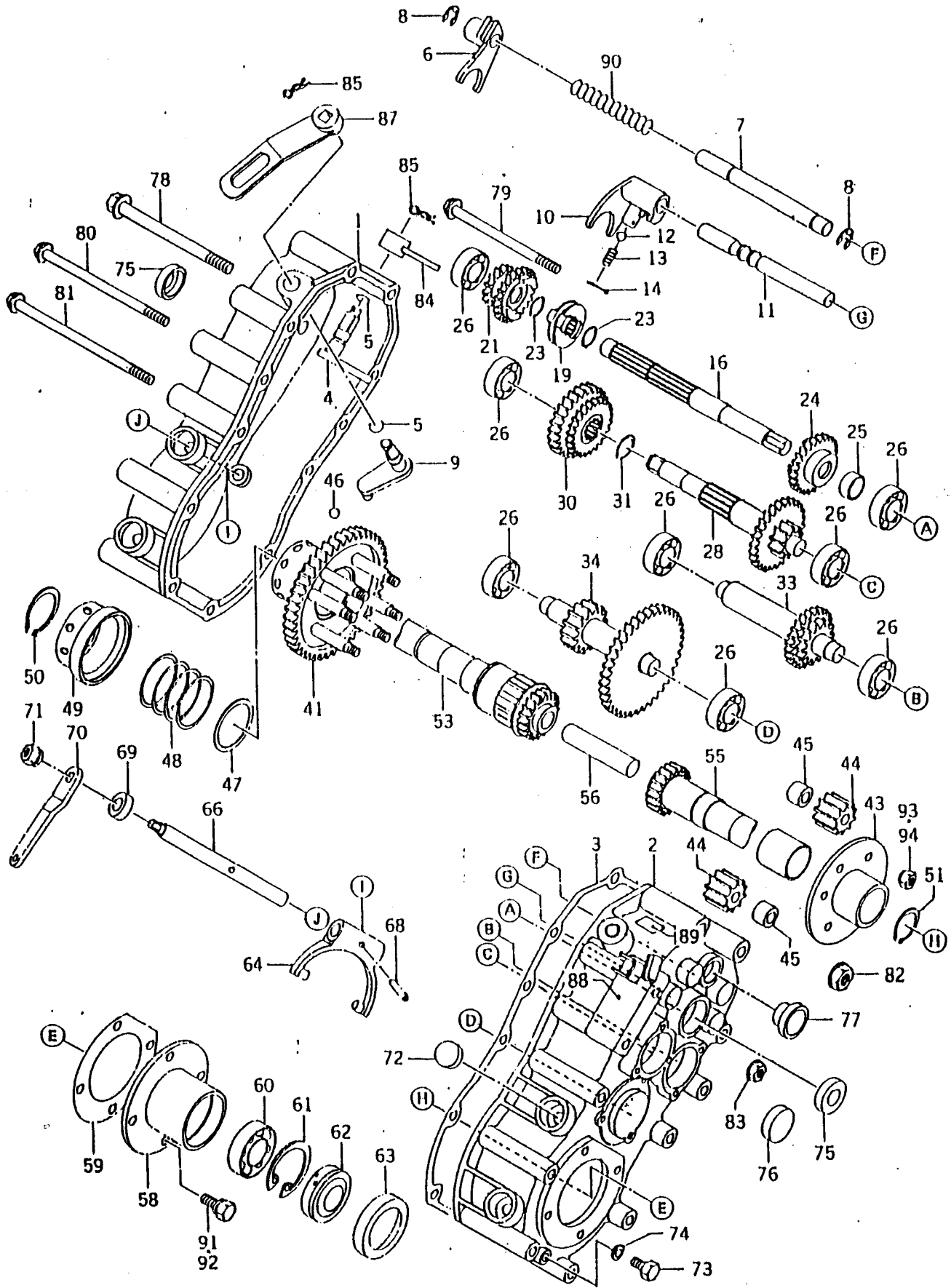


Fig 3

REF.	CODE	PARTS NAME / NOMENCLATURE	Q'TY/Q'TE				NOTE
			AM60		AM70		
			A	B	A	B	
26	89-3111-062024	BALL BEARING (6202) ROULEMENT A BILLES (6202)	6	8	6	8	S706202000
27	80-1415-127-00	THE 2ND SHAFT 2ND ARBRE	1	1	1	1	
28	80-1425-127-00	THE 2ND SHAFT 2ND ARBRE		1		1	
29	80-1425-118-00	THE 2ND SHAFT GEAR 21TG 2ND ARBRE 21 DTS.		1		1	
30	80-1415-131-00	SHIFTER GEAR ENGRENAGE	1	1	1	1	
31	89-2511-000200	SNAP RING (S20) CIRCLIP (S20)	2	1	2	1	S71S200000
32	80-1425-122-00	BACK SHAFT COMPLET ARBRE COMPL.		1		1	
33	80-1425-122-10	BACK SHAFT COMPLET ARBRE COMPL.		1		1	
34	80-1425-134-00	THE 3RD SHAFT COMPLET 3EM ARBRE COMPL.		1		1	
35	80-1415-134-00	THE 3RD SHAFT 3EM ARBRE	1		1		
36	80-1415-135-00	THE 3RD SHAFT GEAR 41TG 3EM ARBRE 41 DTS.	1		1		
37	80-1415-136-00	THE 3RD SHAFT GEAR 14TG 3EM ARBRE 14 DTS.	1		1		
38	80-1415-162-00	CLUTCH SPRING RESSORT	1		1		
39	83-1633-362-00	THRUST WASHER (15X26X1.2) RONDELLE (15X26X1.2)	2		2		S551528121
40	89-2511-000150	SNAP RING (S15) CIRCLIP (S15)	1		1		S71S150000
41	80-1425-148-00	AXLE GEAR 44TG ESSIEU A 44 DTS.		1		1	

Fig 3 ミッション

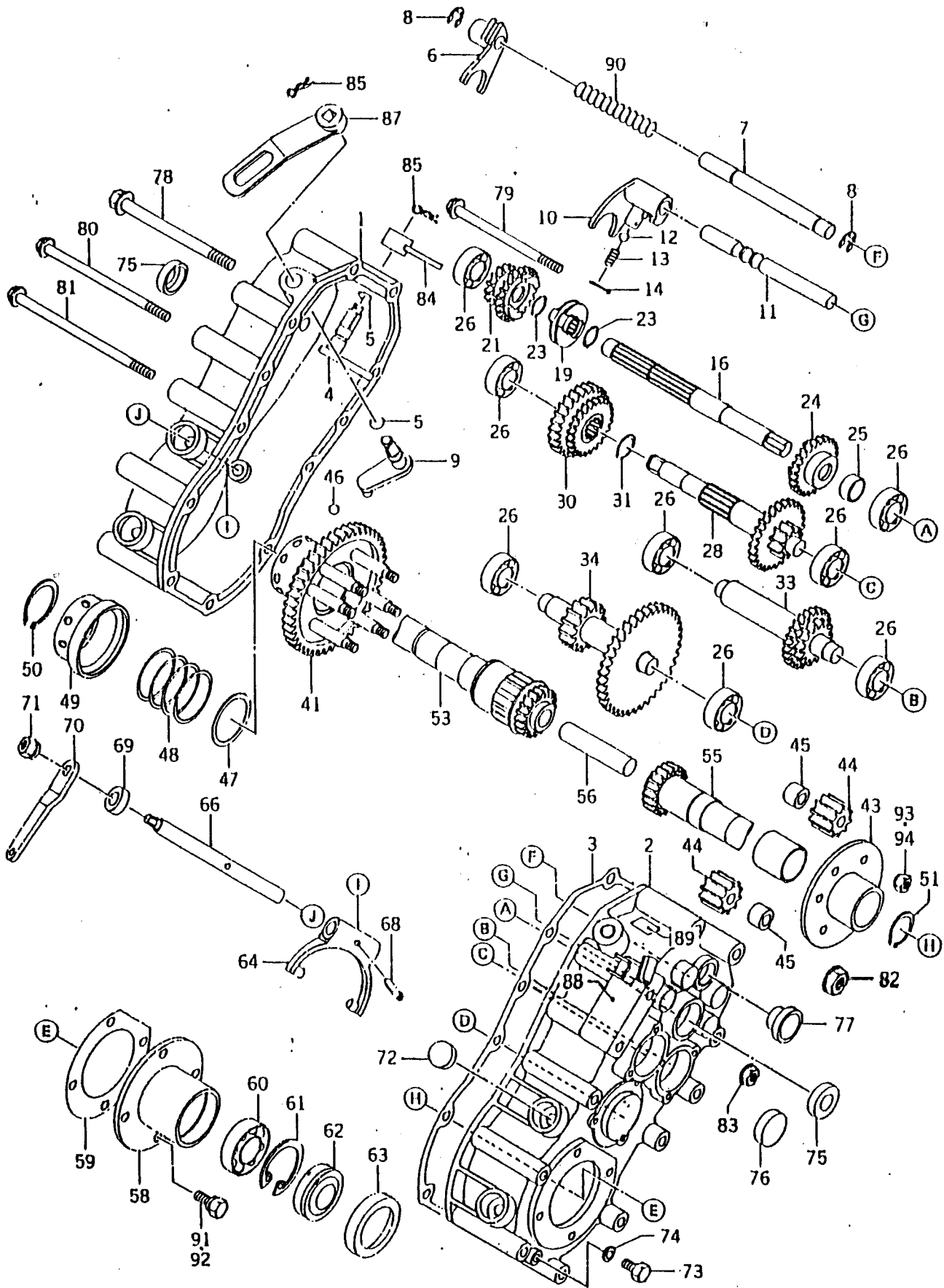


Fig 3

REF.	CODE	PARTS NAME / MOMENCLATURE	Q'TY/Q'TE				NOTE
			AM60		AM70		
			A	B	A	B	
42	80-1415-148-00	AXLE GEAR (44TG) ESSIEU A 44 DTS. (A DOUILLE 28-30)	1		1		
43	80-1415-149-00	PLATE TOLE (A DOUILLE 28-30)	1	1	1	1	
44	80-1415-144-00	GEAR 12T ENGRENAGE A 12 DTS.	4	4	4	4	
45	80-1415-145-00	GEAR SHAFT COLLAR ENTRETOISE	4	4	4	4	
46	89-3410-075000	STEEL BALL (ϕ 7.5) BOULE EN ACIER (ϕ 7.5)		9		9	S690750000
47	S554048101	THRUST WASHER (ST302) RONDELLE A POUSSEE (ST302)		1		1	
48	80-1751-162-00	SPRING (ST302) RESSORT (ST302)		1		1	
49	80-1425-143-00	CONE CONE		1		1	
50	89-2511-000400	SNAP RING (S40) CIRCLIP (S40)		1		1	S71S400000
51	89-2511-000280	SNAP RING (S28) CIRCLIP (S28)	2	1	2	1	S71S280000
52	80-1445-146-00	AXLE (LEFT) COMPLET 297 ESSIEU GAUCHE COMPL., 297				1	
53	80-1445-146-10	AXLE (LEFT) COMPLET 297 ESSIEU GAUCHE COMPL., 297				1	
	80-1425-146-00	AXLE (LEFT) COMPLET 262 ESSIEU GAUCHE COMPL., 262		1			
	80-1435-146-00	AXLE (LEFT) COMPLET 297 ESSIEU GAUCHE COMPL., 297				1	
	80-1415-146-00	AXLE (LEFT) COMPLET 262 ESSIEU GAUCHE COMPL., 262	1				
54	80-1445-147-00	AXLE (RIGHT) COMPLET 283 ESSIEU DROIT COMPL., 283				1	

Fig 3 ミッション

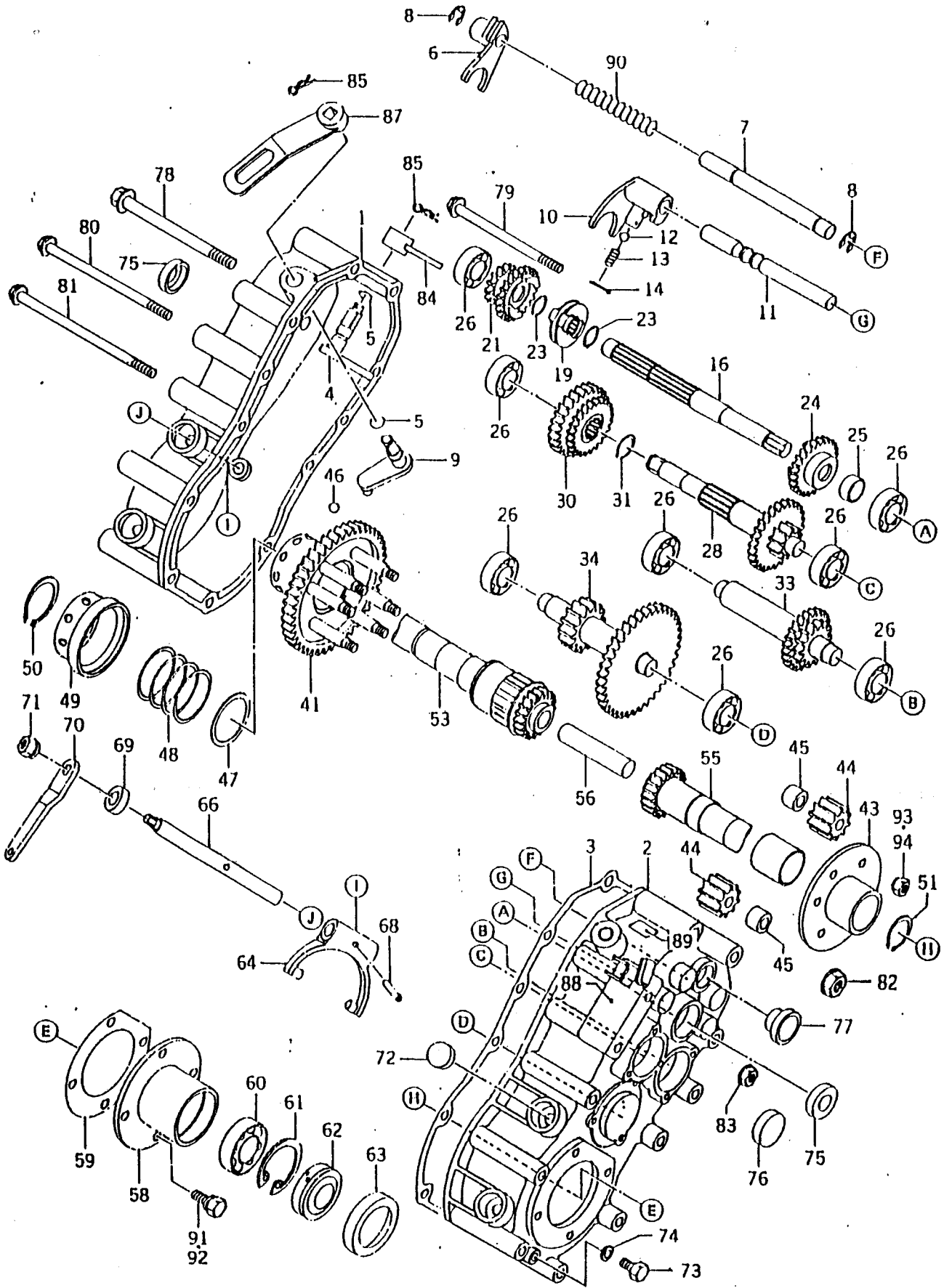


Fig 3

REF.	CODE	PARTS NAME / MOMENCLATURE	Q'TY/Q'TE				NOTE
			AM60		AM70		
			A	B	A	B	
55	80-1445-147-10	AXLE (RIGHT) COMPLET 283 ESSIEU DROIT COMPL., 283			1	1	
	80-1415-147-00	AXLE (RIGHT) COMPLET 248 ESSIEU DROIT COMPL., 248	1	1			
56	80-1415-150-00	AXLE PIN (SM602) CHEVILLE (SM602)	1	1	1	1	
57	80-1445-156-00	AXLE BB CASE (66) PLASQUE (66)				2	
58	80-1415-156-00	AXLE BB CASE (48) PLASQUE (48)	2	2	2	2	
59	80-1415-157-00	AXLE PACKING JOINT	2	2	2	2	
60	89-3111-060054	BALL BEARING (6005) ROULEMENT A BILLES (6005)	2	2	2	2	S706005000
61	89-2512-000470	SNAP RING (R47) CIRCLIP (R47)	2	2	2	2	S72R470000
62	83-1415-663-00	OIL SEAL (AP 30.47.7) FERMETURE (30-47-7 A ADAP.)	2	2	2	2	S803047071
63	80-1415-441-00	DUST COVER (SM602) CACHE (SM602)	2	2	2	2	
64	80-1425-114-00	FORK (ST-302) FOURCHETTE (ST-302)		1		1	
65	80-1415-114-00	CLUTCH FORK FOURCHETTE	1		1		
66	80-1425-112-00	FORK SHAFT ARBRE		1		1	
67	80-1415-112-00	CLUTCH FORK SHAFT ARBRE	1		1		
68	89-2111-050020	SPRING ROLL PIN (5X20) CHEVILLE ROULEAU (5X20)	1	1	1	1	S655020000
	89-2111-030020	SPRING ROLL PIN (3X20) CHEVILLE ROULEAU (3X20)	1	1	1	1	S653020000

Fig 3 ミッション

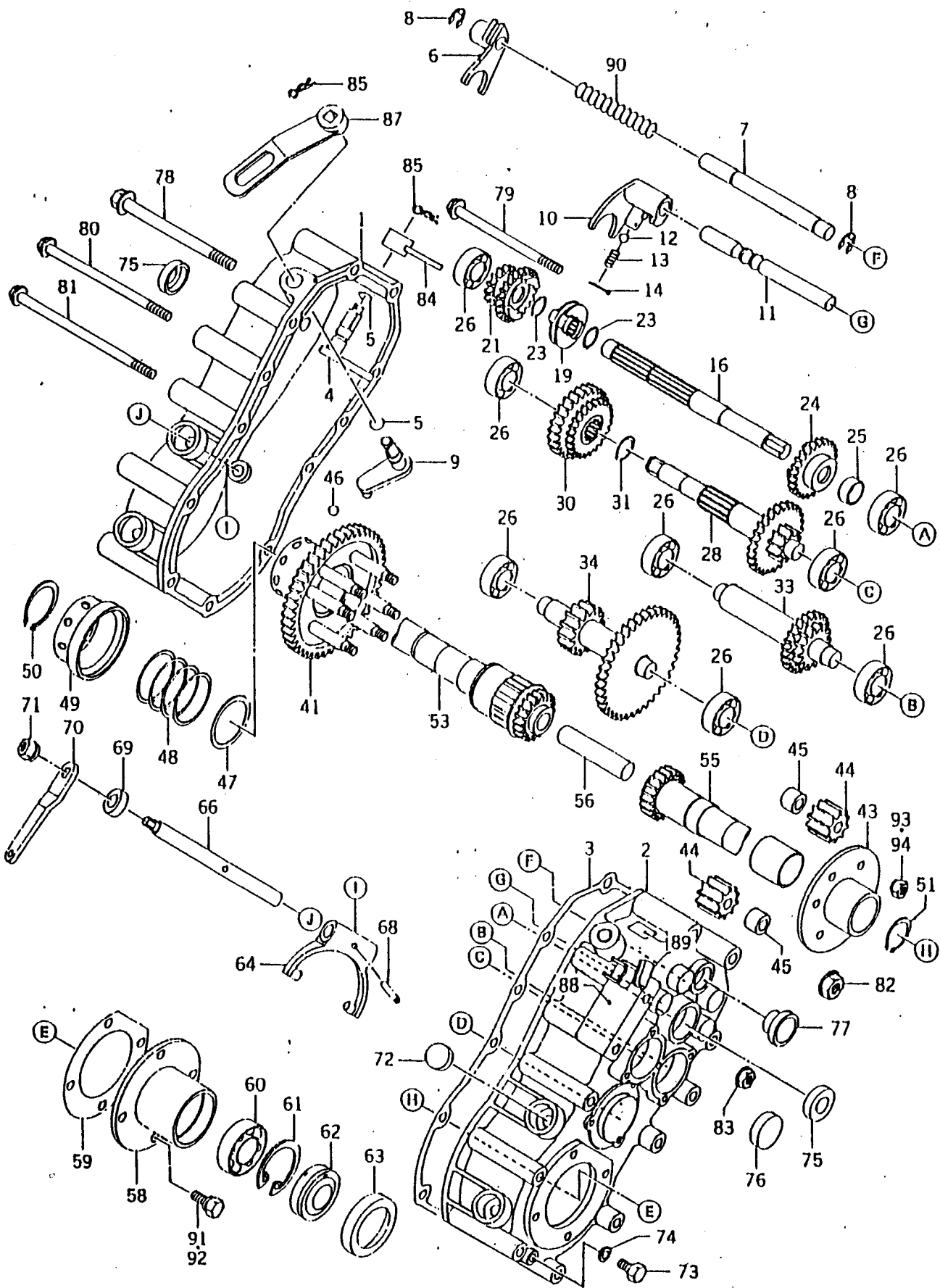


Fig 3

REF.	CODE	PARTS NAME / NOMENCLATURE	Q'TY/Q'TE				NOTE
			AM60		AM70		
			A	B	A	B	
69	89-5121-122207	OIL SEAL UE (12.22.7) FERMETURE A HUILE (12-22-7)	1	1	1	1	S801222070
70	80-1425-153-00	ARM BRAS		1		1	
71	89-1541-080002	NUT (SW) M8 ECROU A RONDELLE (M8)		1		1	S36080000C
72	83-1415-671-00	BLACKING COVER 22 FERMETURE A HUILE (BORGNE 22)	3	3	3	3	S800022070
73	89-1111-080122	BOLT (M8X12) BOULON (M8X12)	1	1	1	1	S11080120C
74	89-5230-080000	SEAL WASHER (ϕ 8) RONDELLE (ϕ 8)	1	1	1	1	S740800000
75	89-5121-153007	OIL SEAL UE (15.30.7) FERMETURE A HUILE UE (15-30-7)	1	2	1	2	S801530070
76	83-1415-672-00	BLACKING COVER 30 FERMETURE A HUILE (BORGNE 30)	3	2	3	2	S800030080
77	83-1110-683-00	OIL CAP (ϕ 20) BOUCHON (ϕ 20 MALE)	2	2	2	2	80-1415-167-00
78	89-1251-101152	BOLT, FLANGE (M10X15 P1.5) BOULON A BORDURE (M10X15 P1.5)	1	1	1	1	S18101150D
79	89-1251-081122	BOLT, FLANGE (M8X112) BOULON A BORDURE (M8X112)	2	2	2	2	S18081120D
80	89-1251-081303	BOLT, FLANGE (M8X130) BOULON A BORDURE (M8X130)	1	1	1	1	S18081300D
81	89-1251-081452	BOLT, FLANGE (M8X145) BOULON A BORDURE (M8X145)	4	4	4	4	S18081450D
82	89-1555-100002	U TYPE NUT, FLANGE (M10 P1.5) ECROU EN U (M10 P1.5)	1	1	1	1	S49100000D
83	89-1555-080003	U TYPE NUT, FLANGE (M8) ECROU EN U (M8)	7	7	7	7	S49080000D
84	80-1425-192-00	CHANGE ARM (FR) BRAS (FR)		1		1	

Fig 3 ミッション

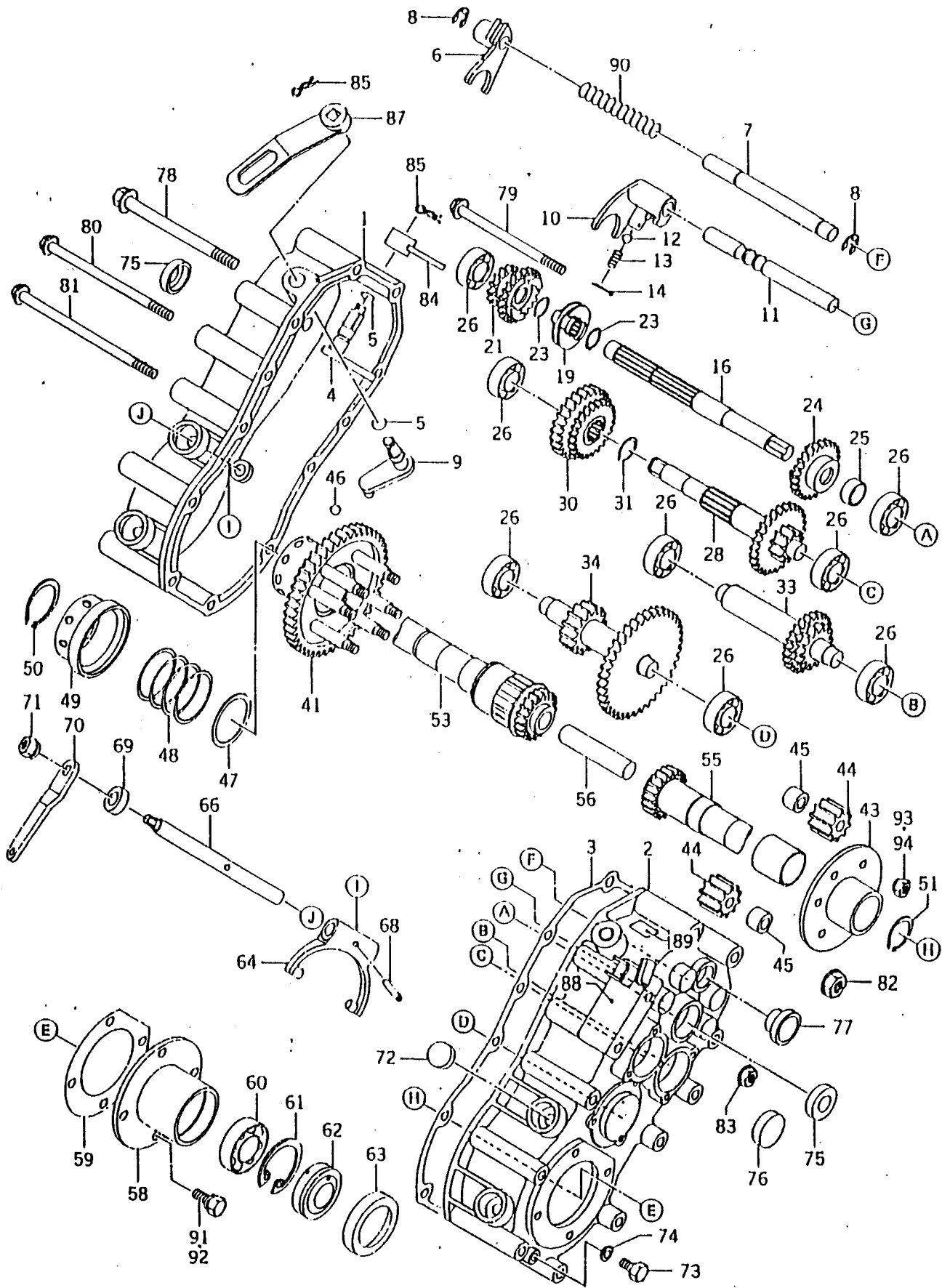


Fig 3

REF.	CODE	PARTS NAME / NOMENCLATURE	Q'TY/Q'TE				NOTE
			AM60		AM70		
			A	B	A	B	
84	80-1425-192-10	CHANGE ARM BRAS		1		1	
85	89-2131-080002	SNAP PIN (φ 8) GOUPILLE EN R (φ 8)	1	2	1	2	S61080000C
86	80-1445-194-00	CHANGE ARM BRAS				1	
87	80-1415-194-00	CHANGE ARM BRAS	1	1	1	1	
88	80-1415-199-00	WIRE FITTING (1 PC) ARRETOIR (1 PC)	1		1		
	80-1425-199-00	WIRE FITTING (2 PC) ARRETOIR (2 PCS)		1		1	
89	80-1445-909-00	LABEL, AUTOCOLLANT				1	
	80-1435-909-00	LABEL, AUTOCOLLANT			1		
	80-1425-909-00	LABEL, AUTOCOLLANT		1			
	80-1415-909-00	LABEL, AUTOCOLLANT	1				
90	80-1425-160-10	SHIFTER SPRING (68) RESSORT (68)		1		1	
	80-1425-160-00	SHIFTER SPRING (76) RESSORT (76)		1		1	
91	89-1111-080182	BOLT (M8X18) BOULON (M8X18)	8	8	8	8	S16080180C
92	89-1750-080002	SPRING WASHER (φ 8) RONDELLE FREIN (φ 8)	8	8	8	8	S58080000C
93	89-1513-080042	NUT M8 (VARIETY 3) ECROU (3 SORTES) M8	6	6	6	6	S31080003C
94	89-1750-080002	SPRING WASHER (φ 8) RONDELLE FREIN (φ 8)	6	6	6	6	S58080000C

Fig 4 ギヤボックス

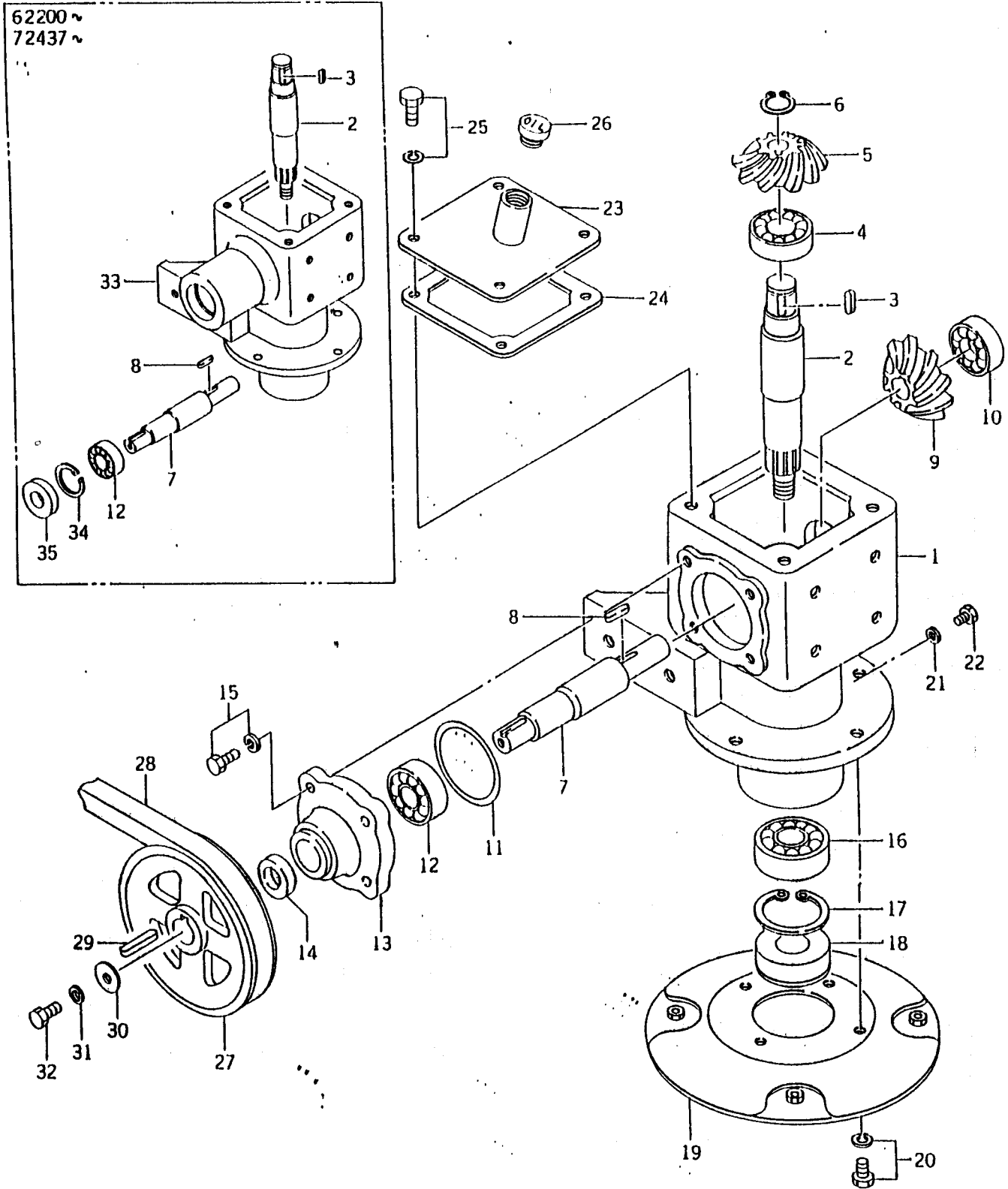


Fig 4

REF.	CODE	PARTS NAME / NOMENCLATURE	Q'TY/Q'TE				NOTE
			AM60		AM70		
			A	B	A	B	
1-26	80-1415-600-00	GEAR CASE ASSY ENS. CARTER D'ENGRENAGE	1	1	1	1	
	80-1415-600-10	GEAR CASE ASSY ENS. CARTER D'ENGRENAGE	1	1	1	1	
1	80-1415-601-00	GEAR CASE CARTER D'ENGRENAGE	1	1	1	1	
2	80-1415-641-00	SHAFT ARBRE.	1	1	1	1	
3	89-2150-050250	KEY (5X5X25) CLAVETTE (5X5X25)	1	1	1	1	S68050525B
4	89-3111-062054	BEARING (6205) ROULEMENT (6205)	1	1	1	1	S706205000
5	80-1415-622-00	BEVEL GEAR 20T, RIGHT ENGRENAGE CONIQUE, DROIT 20 DTS.	1	1	1	1	
6	89-2511-000200	SNAP RING (S20) CIRCLIP (S20)	1	1	1	1	71S200000
7	80-1415-616-00	SHAFT ARBRE	1	1	1	1	
8	89-2150-050250	KEY (5X5X25) CLAVETTE (5X5X25)	1	1	1	1	S68050525B
9	80-1415-618-00	BEVEL GEAR 20T, LEFT ENGRENAGE CONIQUE, GAUCHE 20 DTS.	1	1	1	1	
10	89-3111-062044	BEARING (6204) ROULEMENT (6204)	1	1	1	1	S706204000
11	89-5222-065000	RING O TYPE (G65) JOINT TORIQUE (G65)	1	1	1	1	S73G650000
12	89-3111-062054	BEARING (6205) ROULEMENT (6205)	1	1	1	1	S706205000
13	80-1415-602-00	BB CASE PLASQUE	1	1	1	1	
14	89-5121-253807	OIL SEAL (25.38.10) FERMETURE A HUILE (25-38-10)	1	1	1	1	

Fig 4 ギヤボックス

62200 ~
72437 ~

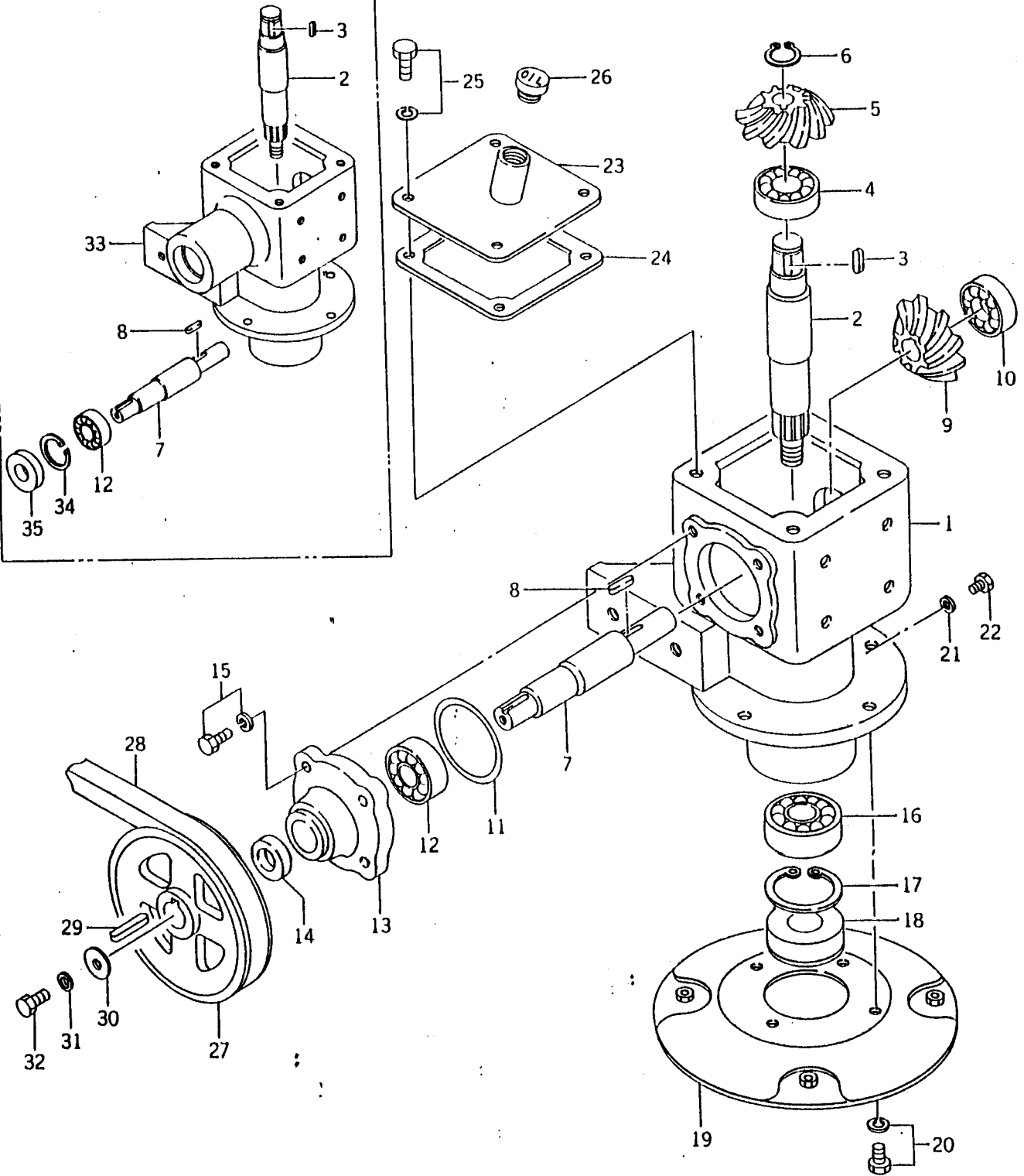


Fig 4

REF.	CODE	PARTS NAME / NOMENCLATURE	Q'TY/Q'TE				NOTE
			AM60		AM70		
			A	B	A	B	
15	89-1132-080202	BOLT (SW) M8X20 BOULON A RONDELLE (M8X20)	4	4	4	4	S16080200C
16	89-311-060004	BEARING (6006) ROULEMENT (6006)	1	1	1	1	S706006000
17	89-2512-000550	SNAP RING (R55) CIRCLIP (R55)	1	1	1	1	S72R550000
18	83-1415-662-00	OIL SEAL (AP.35.55.8) FERMETURE (35.55.8 A ADP.)	1	1	1	1	S803555081
19	80-1415-653-00	SAFETY COVER SUPPORT	1	1	1	1	
	80-1415-653-10	SAFETY COVER SUPPORT	1	1	1	1	
20	89-1132-080162	BOLT (SW) M8X16 BOULON A RONDELLE (M8X16)	4	4	4	4	S16080160C
21	89-5230-100000	SEAL WASHER (ϕ 10) RONDELLE (ϕ 10)	1	1	1	1	S741000000
22	89-1111-100122	BOLT(M10X12) BOULON (M10X12)	1	1	1	1	S11100120C
23	80-1415-606-00	GEAR CASE CAP COUVERCLE	1	1	1	1	
24	84-1713-607-00	GEAR CASE PACKING JOINT (H75)	1	1	1	1	
25	89-1132-080162	BOLT (SW) M8X16 BOULON A RONDELLE (M8X16)	4	4	4	4	S16080160C
26	83-1210-684-00	OIL CAP KRM-A2 BOUCHON KRM-A2	1	1	1	1	
27	80-1415-571-00	KNIFE PULLEY POULIE	1	1			
	80-1445-571-00	KNIFE PULLEY POULIE			1	1	
28	89-6123-006900	V BELT (LB-69) COURROIE EN V (LB-69)	1	1			S81LB69000

Fig 4 ギヤボックス

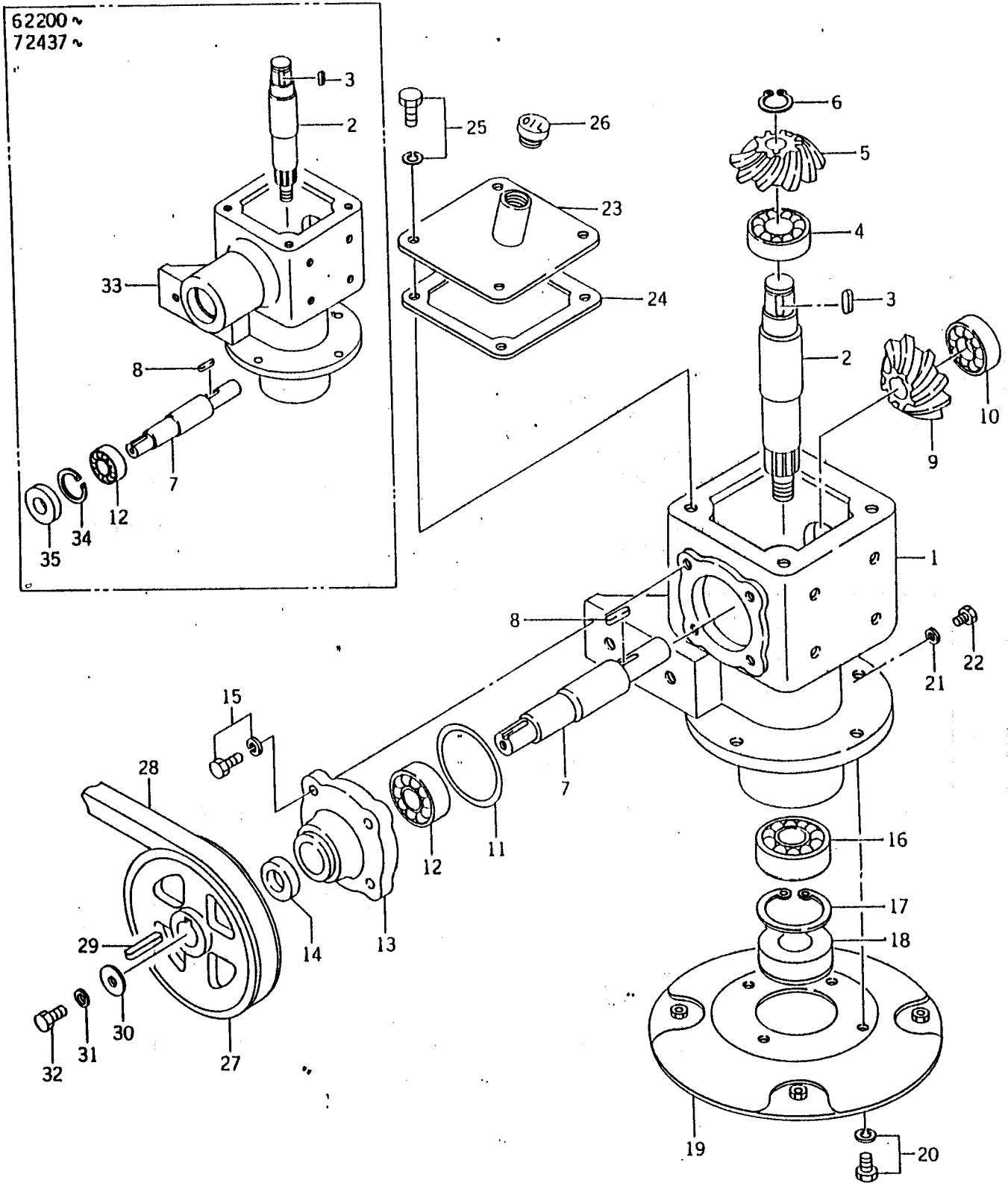


Fig 4

REF.	CODE	PARTS NAME / MOMENCLATURE	Q'TY/Q'TE				NOTE
			AM60		AM70		
			A	B	A	B	
28	89-6123-007000	V BELT LB-70 COURROIE EN V (LB-70)			1	1	S81LB70000 FOR EY18,EY28
	89-6123-007000	V BELT LB-70 COURROIE EN V (LB-70)	1	1	1	1	S81LB70000 FOR EY18,EY28
	89-6123-007100	V BELT LB-71 COURROIE EN V (LB-71)			1	1	
29	89-2151-050250	KEY (5X5X25) CLAVETTE (5X5X25)	1	1	1	1	S68050525A
30	83-1415-312-00	WASHER (ϕ 8X ϕ 30X3.2t) RONDELLE (ϕ 8X ϕ 30X3.2t)	1	1	1	1	S55083032C
31	89-1750-080002	SPRING WASHER (ϕ 8) RONDELLE (ϕ 8)	1	1	1	1	S58080000C
32	89-1113-080252	BOLT (M8X25 8T) BOULON (M8X25 8T)	1	1	1	1	S11080251C
33	80-1415-601-10	GEAR CASE CARTER D'ENGRENAGE	1	1	1	1	
34	89-2512-000520	SNAP RING 52 CIRCLIP (R52)	1	1	1	1	
35	89-5121-255208	OIL SEAL UE 25.52.8 FERMETURE A HUILE UE 25.52.8	1	1	1	1	

Fig 5 刈取部

135871 ~
137426 ~

- 21 — [part]
- 20 — [part]
- 19 — [part]
- 68 — [part]
- 16 — [part]

135001 ~
137001 ~

- 67 — [part]
- 66 — [part]
- 65 — [part]
- 64 — [part]
- 63 — [part]
- 39 — [part]
- 38 — [part]
- 62 — [part]
- 47 — [part]

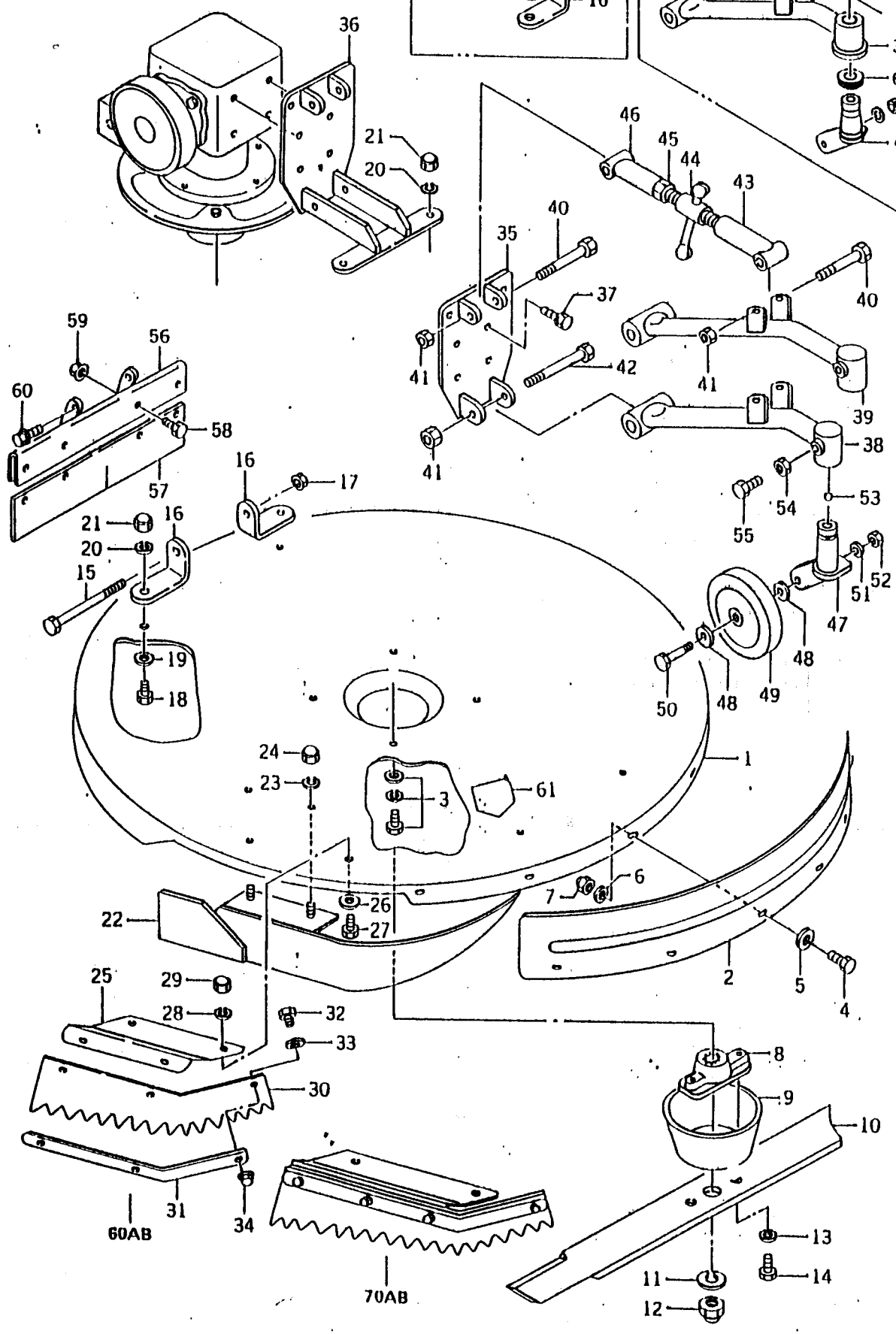


Fig 5

REF.	CODE	PARTS NAME / MOMENCLATURE	Q'TY/Q'TE				NOTE
			AM60		AM70		
			A	B	A	B	
1	80-1415-731-00	SAFETY COVER COUVERTURE DE SURETE	1	1			
	80-1415-731-10	SAFETY COVER COUVERTURE DE SURETE	1	1			
	80-1445-731-00	SAFETY COVER COUVERTURE DE SURETE			1	1	
	80-1445-731-10	SAFETY COVER COUVERTURE DE SURETE			1	1	
2	80-1450-733-00	FRONT PROTECTION PROTECTION	1	1	1	1	
3	89-1133-080162	BOLT (PW,SW) M8X16 BOULON A RONDELLES (M8X16)	4	4	4	4	S17080160C
4	89-1113-080162	BOLT (M8X16) BOULON (M8X16)	6	6	6	6	S11080160C
5	89-1711-080002	WASHER (ϕ 8) RONDELLE (ϕ 8)	6	6	6	6	S50080000C
6	83-1210-386-00	WT WASHER (ϕ 8) RESSORT A DISQUE (ϕ 8)	6	6	6	6	S57080000C
7	89-1571-080042	CAP NUT (M8) ECROU BORGNE (M8)	6	6	6	6	S41080000C
8	84-1763-833-00	SUPPORT SUPPORT	1	1	1	1	
9	80-1415-836-00	PROTECTION BOL CONIQUE	1	1	1	1	
10	80-1415-821-00	KNIFE LAME	1	1			
	80-1445-821-00	KNIFE LAME			1	1	
11	89-1750-160002	SPRING WASHER (ϕ 16) RONDELLE FREIN (ϕ 16)	1	1	1	1	S58160000C
12	89-1572-160042	CAP NUT (M16 P1.5) ECROU BORGNE (M16 P1.5)	1	1	1	1	84-1560-649-00

Fig 5 刈取部

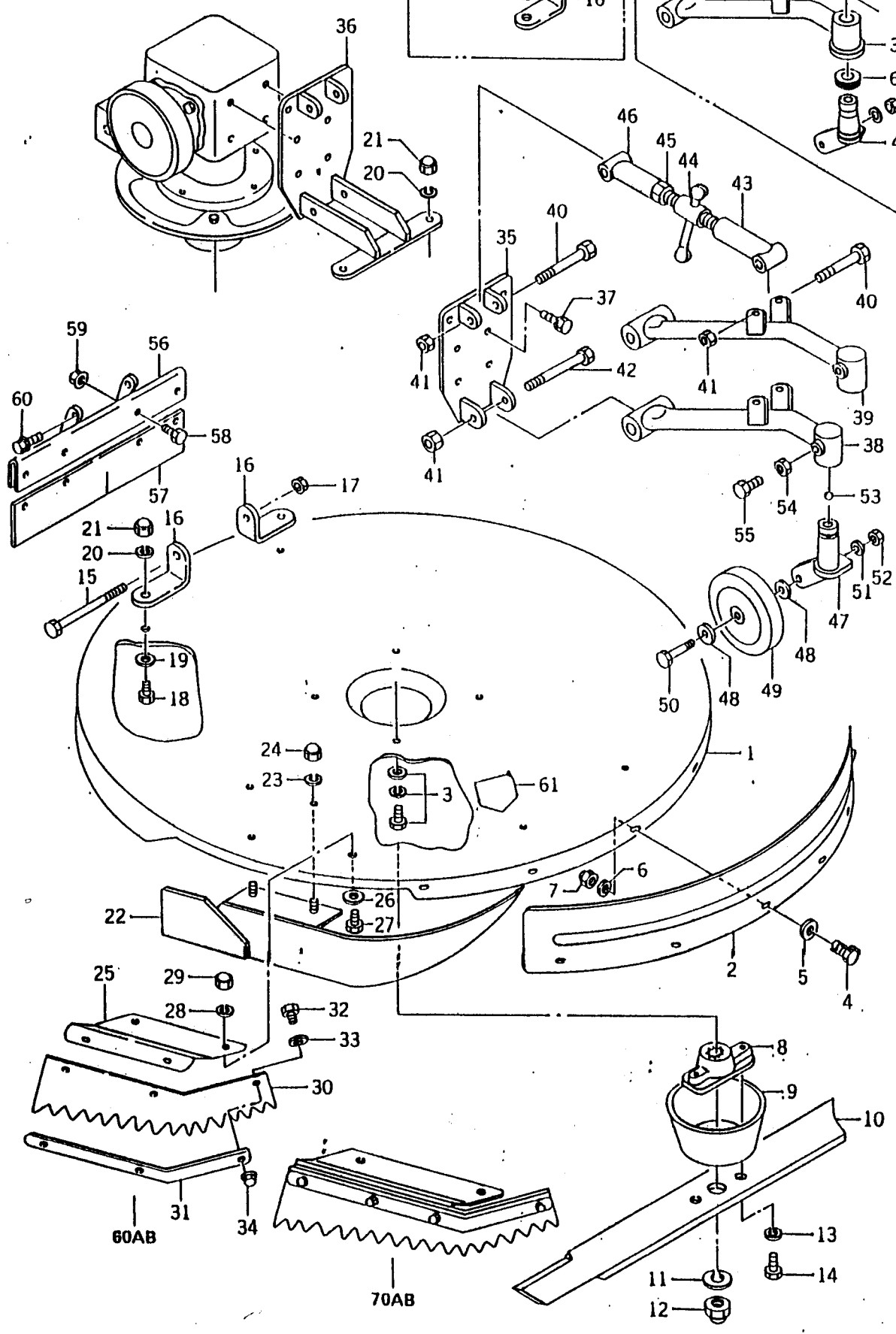
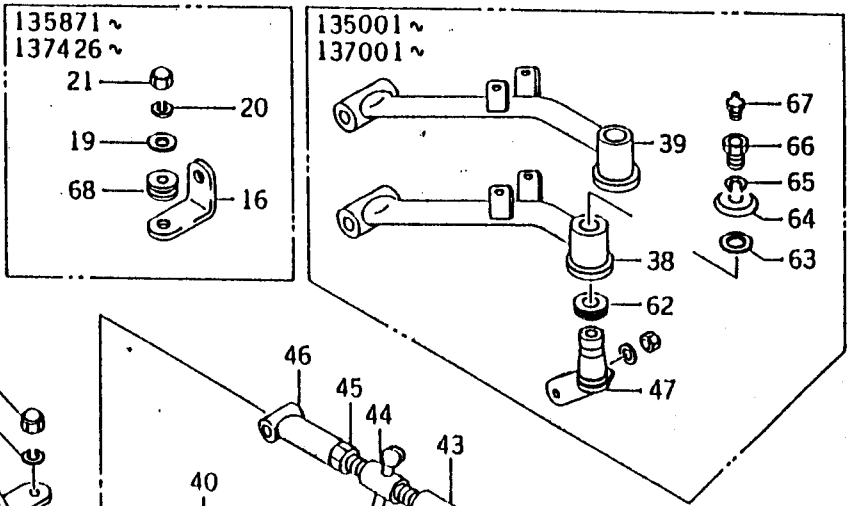


Fig 5

REF.	CODE	PARTS NAME / NOMENCLATURE	Q'TY/Q'TE				NOTE
			AM60		AM70		
			A	B	A	B	
13	89-1750-100002	SPRING WASHER 10 RONDELLE FREIN 10	2	2	2	2	S58100000C
14	89-1113-100252	BOLT (8T) M10X25 BOULON (8T) M10X25	2	2	2	2	S11100251C
15	89-1113-081602	BOLT (8T) M8X160 BOULON (8T) M8X160	1	1	1	1	S11081601D
16	80-1415-707-00	SUPPORT APPUI	2	2	2	2	
	80-1415-707-10	SUPPORT APPUI	2	2	2	2	
	80-1445-707-00	SUPPORT APPUI				2	
17	89-1541-080002	NUT (SW) M8 ECROU A RONDELLE (M8)	1	1	1	1	S36080000C
18	89-1111-080202	BOLT M8X20 BOULON (M8X20)	2	2	4	4	S11080200C
	80-1450-709-00	BOLT BOULON	2	2	4	4	
19	89-1711-080002	WASHER 8 RONDELLE 8	2	2	4	4	S50080000C
	83-1565-328-00	WASHER 12X25X2.3 RONDELLE 12X25X2.3	2	2	4	4	
20	89-1750-080002	SPRING WASHER 8 RONDELLE FREIN 8	2	2	4	4	S58080000C
	89-1750-100002	SPRING WASHER 10 RONDELLE FREIN 10	2	2	4	4	
21	89-1571-080042	CAP NUT M8 ECROU BORGNE M8	2	2	4	4	S41080000C
	89-1571-100042	CAP NUT M10 ECROU BORGNE M10	2	2	4	4	
22	80-1445-761-00	GUIDED PLATE PLAQUE DE GUIDAGE			1	1	

Fig 5 刈取部

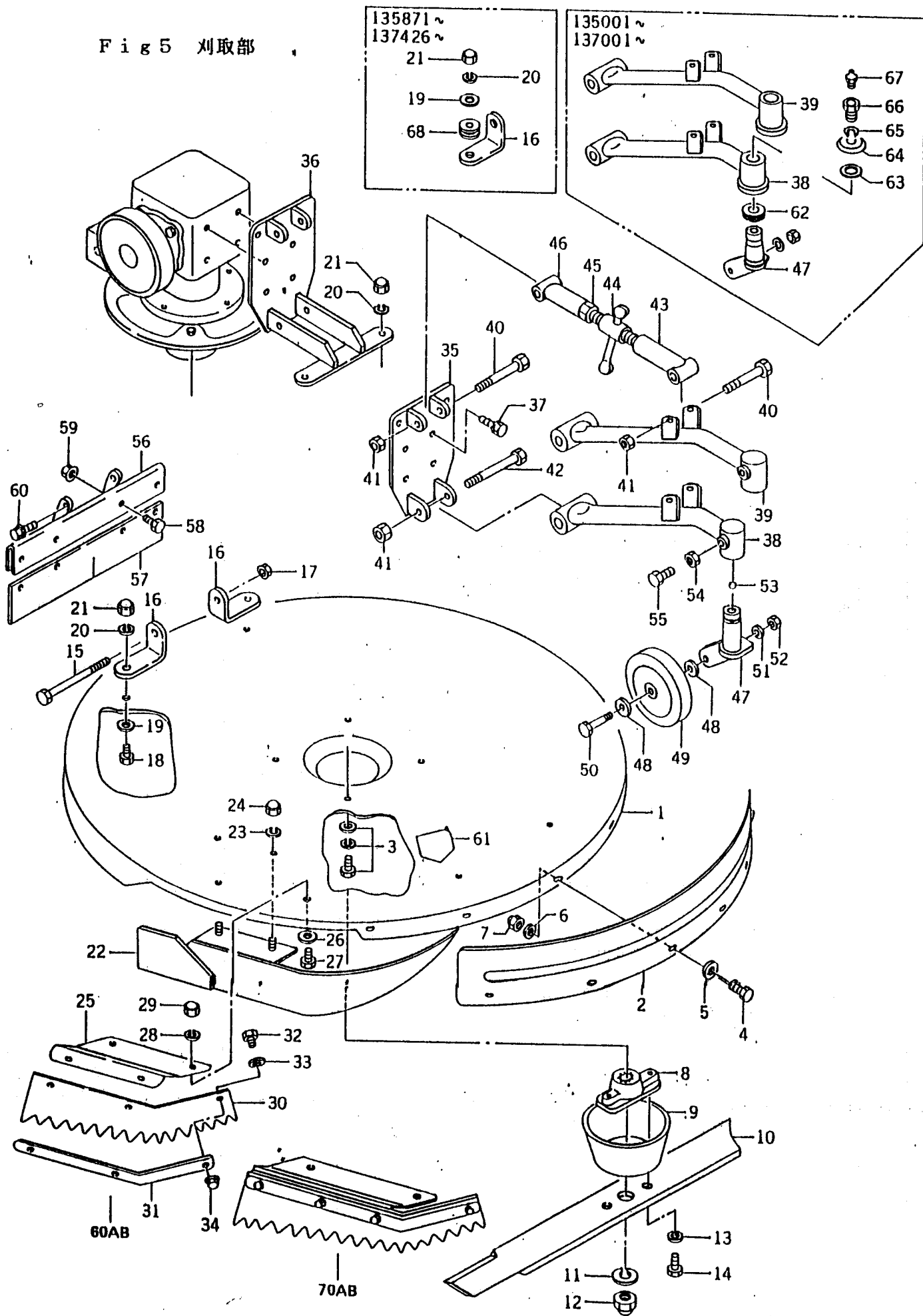


Fig 5

REF.	CODE	PARTS NAME / NOMENCLATURE	Q'TY/Q'TE				NOTE
			AM60		AM70		
			A	B	A	B	
22	80-1415-761-00	GUIDED PLATE PLAQUE DE GUIDAGE	1	1			
23	89-1750-080002	SPRING WASHER 8 RONDELLE FREIN 8	2	2	2	2	S58080000C
24	89-1571-080042	CAP NUT M8 ECROU BORGNE M8	2	2	2	2	S41080000C
25	80-1415-753-00	SIDE PROTECTION PROTECTION	1	1			
	80-1445-753-00	SIDE PROTECTION PROTECTION			1	1	
26	89-1111-080162	BOLT M8X16 BOULON M8X16	2	2	2	2	S11080160C
27	89-1711-080002	WASHER 8 RONDELLE 8	2	2	2	2	S50080000C
28	89-1750-080002	SPRING WASHER 8 RONDELLE FREIN 8	2	2	2	2	S58080000C
29	89-1571-080042	CAP NUT M8 ECROU BORGNE M8	2	2	2	2	S41080000C
30	80-1415-783-00	FLAPPER BAVETTE	1	1			
	80-1445-783-00	FLAPPER BAVETTE			1	1	
31	80-1415-786-00	FLAPPER PAD POIDS	1	1			
	80-1445-786-00	FLAPPER PAD POIDS			1	1	
32	89-1111-060162	BOLT M6X16 BOULON M6X16	3	3	4	4	S11060160C
33	89-1711-060002	WASHER 6 RONDELLE 6	3	3	4	4	S50060000C
34	83-1575-189-00	CAP NUT, FLANGE M6 ECROU BORGNE M6	3	3	4	4	S47060000C

Fig 5 刈取部

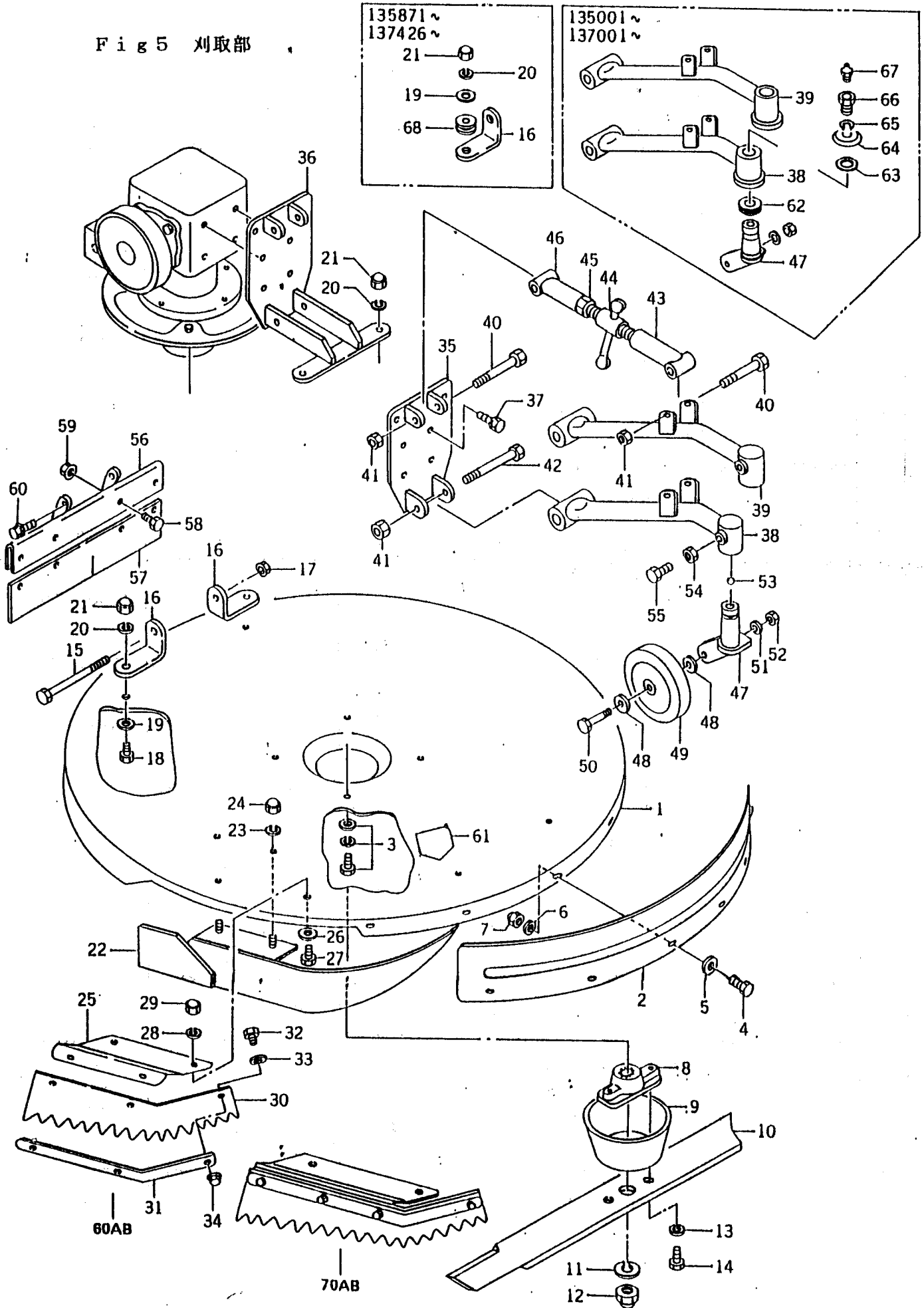


Fig 5

COST	CODE	PARTS NAME / NOMENCLATURE	Q'TY/Q'TE				NOTE
			AM80		AM70		
			A	B	A	B	
35	80-1415-721-00	ARM SUPPORT	1	1			
36	80-1445-721-10	ARM SUPPORT			1	1	80-1445-721-00
	80-1445-721-20	ARM SUPPORT			1	1	
37	89-1132-080162	BOLT (SW) M8X16 BOULON A RONDELLE (M8X16)	6	6	6	6	S18080160C
38	80-1415-723-00	ARM BRAS	1	1			
	80-1415-723-10	ARM BRAS	1	1			
39	80-1445-723-00	ARM BRAS			1	1	
	80-1445-723-10	ARM BRAS			1	1	
40	89-1111-120602	BOLT M12X60 BOULON M12X60	2	2	2	2	S11120800C
41	89-1551-120002	U TYPE NUT M12 ECROU EN U M12	3	3	3	3	S34120000C
42	89-1111-120852	BOLT M12X85 BOULON M12X85	1	1	1	1	S11120850C
43	80-1415-741-00	RECEIVER FOR ADJUSTING BOLT(LEFT) POURREAU (VIS GAUCHE)	1	1	1	1	
44	80-1415-743-00	ADJUSTING BOLT BOULON DE REGLAGE	1	1	1	1	
45	89-1511-160042	NUT M16 ECROU M16	1	1	1	1	S31160000C
46	80-1415-742-00	RECEIVER FOR ADJUSTING BOLT(RIGHT) POURREAU (VIS DROIT)	1	1	1	1	
47-52	80-1415-720-00	FRONT WHEEL ASSY ROUE AVANT COMPL.	1	1	1	1	

Fig 5 刈取部

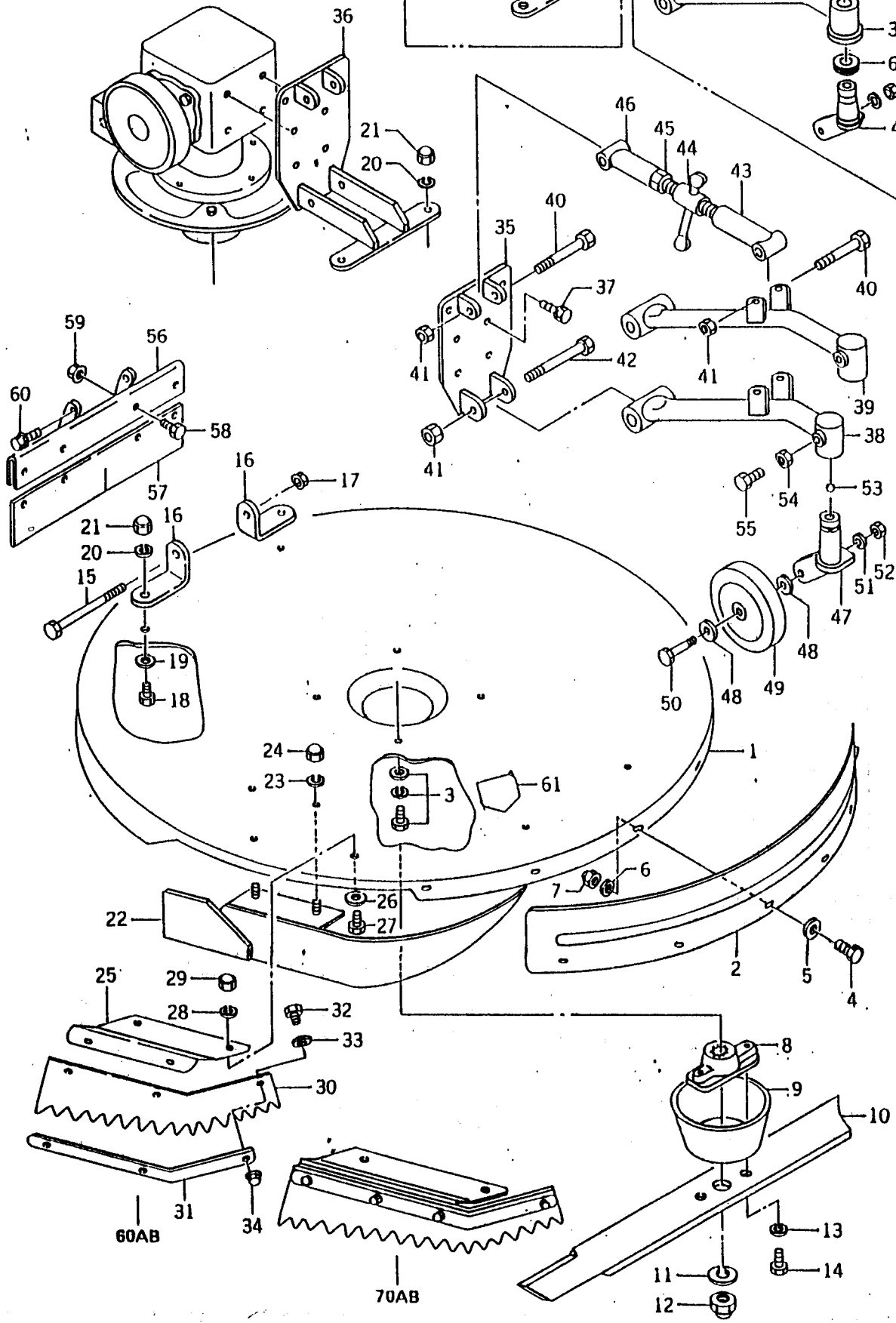
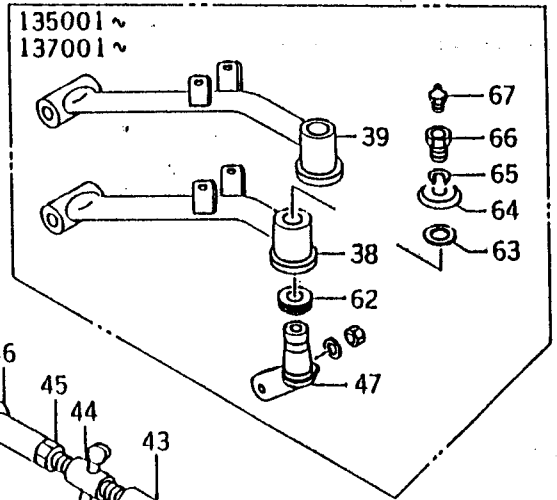
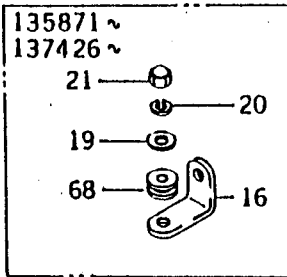


Fig . 5

REF.	CODE	PARTS NAME / MONENCLATURE	Q' TY/Q' TE				NOTE
			AM60		AM70		
			A	B	A	B	
47-52	80-1415-720-10	FRONT WHEEL ASSY ROUE AVANT COMPL.	1	1	1	1	
47	80-1415-726-00	FRONT WHEEL FORK SUPPORT DE ROUE	1	1	1	1	
	80-1455-725-00	FRONT WHEEL FORK SUPPORT DE ROUE	1	1	1	1	
48	89-1711-120002	WASHER 12 RONDELLE 12	2	2	2	2	S50120000C
49	80-1610-727-00	FRONT WHEEL ROUE AVANT	1	1	1	1	
50	89-1113-120752	BOLT (8T) M12X75 BOULON (8T) M12X75	1	1	1	1	S11120751C
51	89-1750-120002	SPRING WASHER 12 RONDELLE FREIN 12	1	1	1	1	S58120000C
52	89-1511-120042	NUT M12 ECROU M12	1	1	1	1	S31120000C
53	89-3410-110000	STEEL BVALL 11 BOULE EN ACIER 11	1	1	1	1	S691100000
54	89-1511-100042	NUT M10 ECROU M10	1	1	1	1	S31100000C
55	89-1111-100252	BOLT M10X25 BOULON M10X25	1	1	1	1	S11100250C
56	80-1415-751-00	PROTECTION (REAR) PROTECTION	1	1	1	1	
57	80-1415-781-00	FLAPPER (W400) BAVETTE (W400)	1	1			
	80-1445-781-00	FLAPPER (W470) BAVETTE (W470)			1	1	
58	89-1111-060162	BOLT M6X16 BOULON M6X16	4	4	4	4	S11060160C
59	83-1712-194-00	NUT M6 ECROU M6	4	4	4	4	S45060000C

FIG 5. ROTARY KNIFE
LAME TORNANT

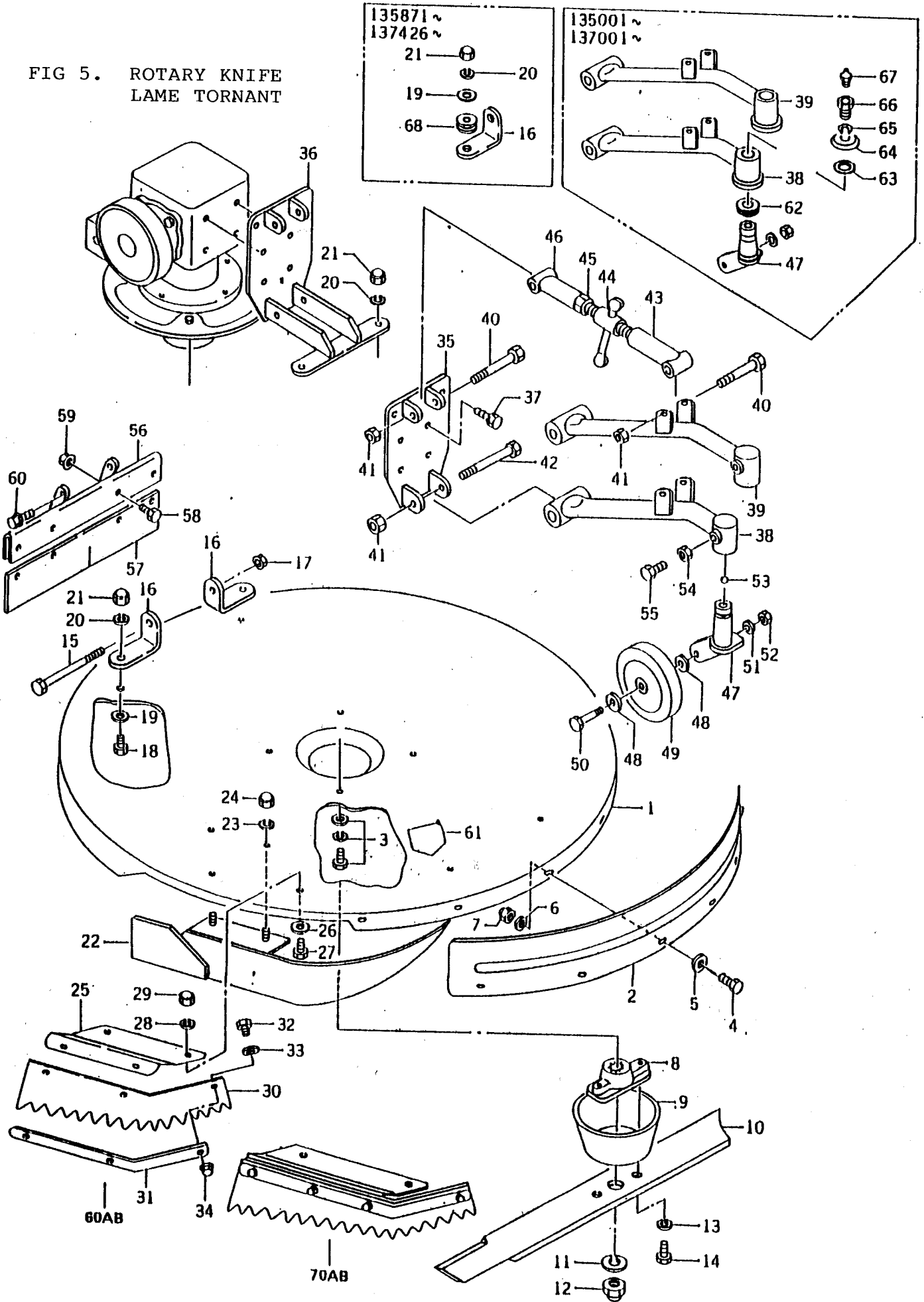


Fig 5

REF.	CODE	PARTS NAME / NOMENCLATURE	Q'TY/Q'TE				NOTE
			AM60		AM70		
			A	B	A	B	
60	89-1133-080202	BOLT (PW,SW) M8X20 BOULON A RONDELLES (M8X20)	2	2	2	2	S17080200C
61	83-1415-906-00	LABEL AUTOCOLLANT	1	1	1	1	
62	89-3370-051105	FIRUST BEARING 51105 ROULEMENT 51105	1	1	1	1	
63	84-1783-792-00	WASHER, FRONT WHEEL FORK RONDELLE	1	1	1	1	
64	84-1783-721-00	FORK COVER COUVERTURE	1	1	1	1	
65	89-1750-140002	SPRING WASHER 14 RONDELLE FREIN 14	1	1	1	1	
66	84-1783-791-00	NIPPLE BOLT M14 VIS M14	1	1	1	1	
67	83-1415-975-00	GREASE NIPPLE A-MT6X1 MAMELON A-MT6X1	1	1	1	1	
68	80-1450-719-00	GROMMET DEILLET	2	2	4	4	